



The Silentia Screen System

Instructions For Use

Instructions, Operation, Cleaning and Maintenance



Welcome

to Silentia's instructions for use. Contact your local distributor if you have any questions.

If you need further guidance regarding installation, operation or maintenance of your screens, please contact your local distributor. Information about our distributors can be found at the end of this booklet and on the internet:

<http://www.silentia.com>

General

Read these safety instructions carefully before installation and operation of any of the Silentia screen products. Always follow the instructions during installation, operation and maintenance. Installation, operation, servicing and other work must be carried out by qualified staff in accordance with local codes and regulations.

For personal and operational safety, use only spare parts which have been manufactured or approved by Silentia AB. Use of non-Silentia spare parts will void the warranty.

Before installation, make sure that all products/parts are present, complete and without defects.

Packaging material should be disposed of in accordance with local rules and regulations.

If you need further guidance regarding installation, operation or maintenance of your screens, please contact your local distributor. Information about our distributors can be found at the end of this booklet and on the internet:

<http://www.silentia.us>

Product lifetime: 10 years

Product warranty: 2 years



Warning - Warning indicates a hazard, which, if not avoided, could result in death or serious injury and/or property damage.

Operation, Cleaning and Maintenance **4**

- Installation 4
- General Usage 4
- On Wall Rail with Clamps 4
- Mobile Screens 4
- Change of Installation Location 5
- Periodic Inspection 5
- Cleaning and Disinfection 5

Installation **6**

- Standard Installation with Wall Mounting 6
- Standard Installation with Wall Mounting and Extension Screen 8
- Installation with 0.80" (20 mm) Spacers 10
- Installation with 4" (100 mm) or 8" (200 mm) Spacers 12
- Installation with Two Pieces of Adjustable Spacers 14
- Installation with One Piece of Adjustable Spacer 16
- Installation with Clamps and Wall Mounting to a Wall Rail 18
- Installation with Clamp and Back Support 20
- Installation with Clamps and Wall Mounting with Floor Support to a Wall Rail 22
- Installation of Semifix Screen 24
- Installation of Fixed Screen with Wall Mounting and Floor Pole 27
- Installation of Fixed Screen with Two Floor Poles 29
- Installation of Folding Screen together with Fixed Screen 30
- Installation of Folding Screen with Floor Pole 31
- Installation with Trolley for One Screen 33
- Installation with Trolley for Two Screens 35
- Installation of Mobile Bed End Screen 37
- Installation of Shower screen 39
- Installation of PPE Holder 1, Mobile Holder Bed End Screen 41
- Installation of PPE Holder 1, Trolley for One Screen 42
- Installation of PPE Holder 2, Folding Screen 43
- Installation of PPE Holder 3, Semifix Screen 44
- Installation of PPE Holder 3, Fixed Screen 45

Local Distributors **46**

Form for Regular Inspection **47**

Operation, Cleaning and Maintenance

Installation

Warning - Incorrect installation may cause the screen to fall down and injure patients or staff. Your installation staff are responsible for ensuring that the fasteners are suitable for the wall and floor, that the wall and floor are in good condition, and that the wall, floor and fasteners can support the weight of the screen system and other forces that may occur during normal use.

Warning - Never drill holes in the wall or floor if there are water pipes, gas pipes or electric wiring beneath, as this may result in water leakage, fire or electric shock.

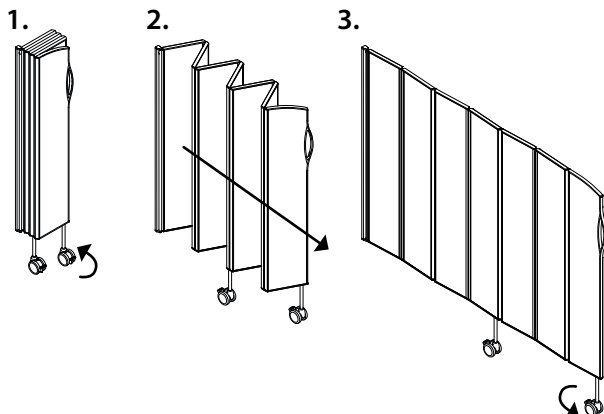
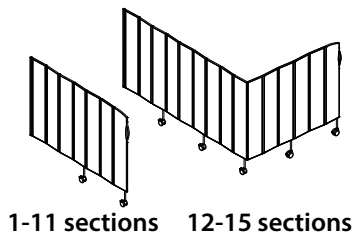
Warning - The screens are designed to be used indoors on smooth, level flooring. Installation and use on floors that are not horizontal may be unsafe and will void the warranty.

General Usage

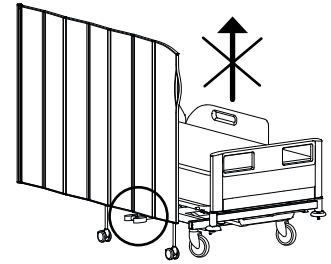
Warning - Do not cover, lean on, or use the screens as a support for equipment or any other device. They are designed for screening off the view, and may be damaged by any other use. Such damage could lead to subsequent injury to people or property.

When the foldable screen has been extended to the desired length - only apply the brake to the end wheel (if a corner is required, also apply the brake to the corner wheel).

The longest screens (12-15 sections) are intended for use in an L-shape around the bed.



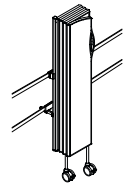
Warning - Before elevating a bed close to the screen, make sure that no parts of the bed are under the screen. The lifting force from a bed can damage the screen, its accessories, and/or the fasteners. This may cause the screen to fall down and injure patients or staff.



Warning - The screens must not be used in MRI scanning rooms. The strong magnetic fields from the MRI equipment can cause danger and damage by moving the screen with a great force.

On Wall Rail with Clamps

Screens attached to a wall rail can be moved sideways along the wall rail if the screws securing the clamps in position on the wall rail are slightly loosened.

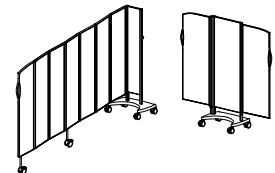


Warning - Always tighten all screws of the clamps as soon as the screen is placed in the desired position. Loose screws may cause the screen to fall down.

Warning - Make sure that the screen is vertical in both directions after moving it.

Mobile Screens

Before extending a screen installed on a trolley, please ensure that all the brakes of the trolley wheels are applied, and that the brakes of the screen wheels are off.



Warning - Before moving the screen unit, the brakes on all wheels must be off, otherwise the screen may tip over when you try to move it.

Warning - Mobile screens should always be moved and handled with care. If they are moved violently or heavily pushed, they may tip over and injure patients or staff. Special care must be taken when moving the screen over thresholds and other places where the floor is uneven.

1. Release the brakes of all wheels.
2. Pull out the screen.
3. Apply the brake to the end wheel.



Warning - Do not climb onto the wheel base, lean on the screens or use them as a support. If you do, the mobile screen may start moving or tip over, causing you to fall.

Change of Installation Location

The folding screens can easily be transferred between different installation options, due to the EasyClick™ system, if you follow these instructions. Fold the screen. Untighten the torx screw (T20) that secures the spring-loaded pin in the top corner of the screen. Detach the screen from the wall mounting, floor pole or trolley by pressing down the screw to lower the upper pin and release the screen. Move the screen to its new location and reattach it according to the installation instructions.



Warning - Be careful when detaching the screen. It may move away from you and fall when it is no longer attached.



Warning - When reinstalling the screen, please refer to the installation instructions to make sure it is properly attached.

Incorrect installation may cause the screen to fall down and injure patients or staff.

Periodic Inspection

Screens should be checked regularly (at least every 6 months) as follows:

- Check that the wall mountings (and spacers) are securely fixed to the wall
- Check that all nuts and screws are tight
- Check that the spring-loaded pin in the top corner of the screen is correctly attached to the wall mounting, trolley or floor pole
- Check that the wheels are in good condition
- Do an overall check of the screen and its accessories to find any irregularities

There is a form at the back of this manual that can be used for documentation.

Cleaning and Disinfection

Once a week or as required, clean the screens with warm water and ethanol, or common surface cleaners or disinfectants. **Do not use a lot of water**, a damp cloth with your cleaner is sufficient. Do not use abrasive cleaners.

The wheels are easily removed from the screen, by following these instructions, and can be cleaned in a dishwasher. Fold the screen. Untighten the torx screw (T20) that secures the spring-loaded pin in the top corner of the screen. Detach the screen from the wall mounting, floor pole or trolley by pressing down the screw to lower the upper pin and release the screen. If the screen is attached with clamps, you can open the clamps to release the wall mounting together with the screen instead of detaching the screen from the wall mounting. Lay down the screen in a suitable area and pull out the wheels. Clean the wheels. If necessary, drip some oil on the wheel axle before replacing the wheel. Reattach the screen.



Warning - Be careful when detaching the screen. It may move away from you and fall when it is no longer attached.



Warning - After cleaning the wheels, make sure that they are all replaced in the screen. Missing wheels can make the screen unstable and cause it to fall.



Warning - When reinstalling the screen, please refer to the installation instructions to make sure it is properly attached.

Incorrect installation may cause the screen to fall down and injure patients or staff.

Please note: The screens are not suitable for steam cleaning or cleaning in a dishwasher or bed washer, as this will damage the panels.

Standard Installation with Wall Mounting

Warning - Incorrect installation may cause the screen to fall down and injure patients or staff. Your installation staff are responsible for ensuring that the fasteners are suitable for the wall, that the wall is in good condition, and that the wall and fasteners can support the weight of the screen system and other forces that may occur during normal use.

Your installation staff are also responsible for ensuring that the installed products will not be exposed to external damaging forces, e.g. doors that may crash into them when opened. When there is such a risk, measures must be taken to protect the screen and its accessories.

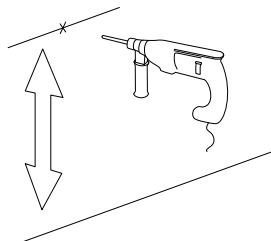
Warning - Never drill holes in the wall or floor if there are water pipes, gas pipes or electric wiring beneath, as this may result in water leakage, fire or electric shock.

Art. No.
 6105 - 6115
 6205 - 6215
 6305 - 6315
 6539, 6544,
 6540

Warning - The screens are designed to be used indoors on smooth, level flooring. Installation and use on floors that are not horizontal may be unsafe and will void the warranty.

- 1.** Mark and drill a hole for the lower fastening screw. Distance from floor: 12.20" for screen of 4'9" height, 16.14" for screen of 5'5" or 6'1" height.

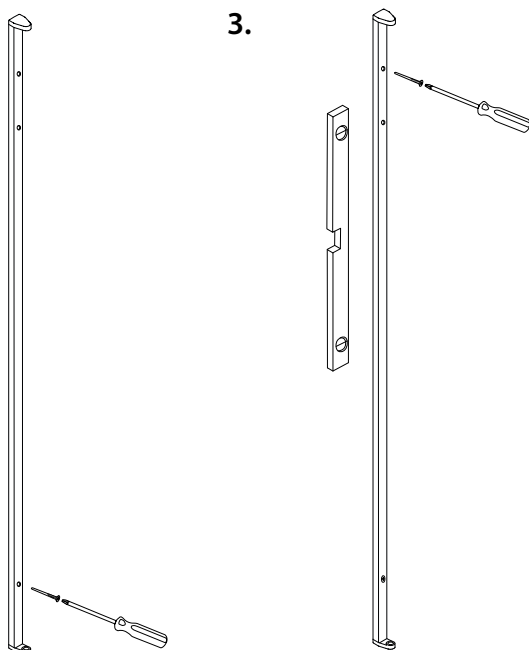
Screen height	Distance from floor
6'1" (1.85 m)	16.14" (410 mm)
5'5" (1.65 m)	16.14" (410 mm)
4'9" (1.45 m)	12.20" (310 mm)



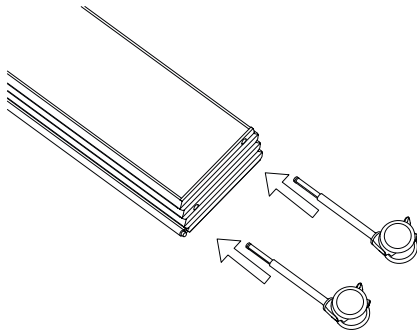
Warning - It is important that the wall mounting is fastened at the correct height to prevent abnormal strain on the fastening components. This could damage the screen or the fastening components, causing the screen to fall down.

- 2.** Fasten the lower end of the wall mounting to the wall. The upper end of the wall mounting is marked by an arrow and the word UP.
- 3.** Make sure the wall mounting **is vertical**. Mark and drill a hole for the upper end of the wall mounting and fasten it to the wall.

6539
 6544
 6540



4.

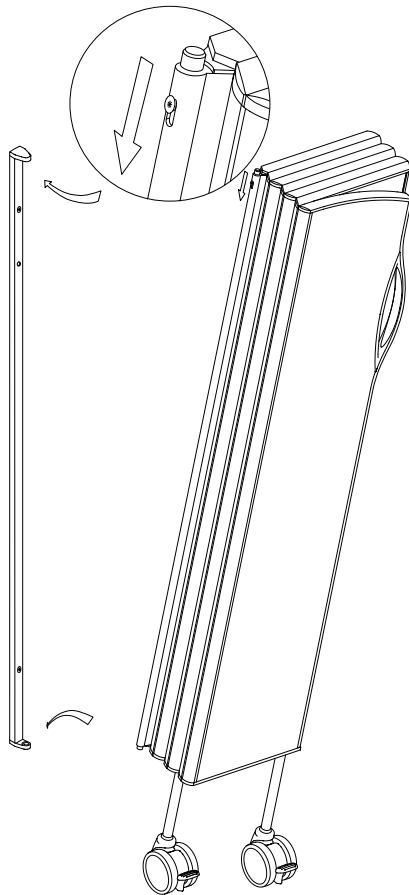


4. Push the wheels into the screen. Make sure the wheels are inserted into all the wheel holes.



Warning - Missing wheels can make the screen unstable and cause it to fall.

5.



5. Attach the screen by inserting the bottom pin of the screen into the bottom hole of the wall mounting. Press the upper pin down using the torx screw on the side to get the pin into the upper hole.



Warning - The pins on the screen must be correctly inserted in the holes on the wall mounting, otherwise the screen may detach and fall down.



Warning - If found to be needed in the care situation, tighten the torx screw (T20) to prevent anyone from detaching the screen accidentally or on purpose. Make sure the screw is in the top position after tightening it.

The longest screens (12-15 sections) are intended for use in an L-shape around the bed.

Art. No.	Weight	Art. No.	Weight	Art. No.	Weight	No. of Wheels
6105	18 lb (8 kg)	6205	21 lb (9.5 kg)	6305	25 lb (11.5 kg)	1
6106	23 lb (10.5 kg)	6206	26 lb (12 kg)	6306	30 lb (13.5 kg)	2
6107	26 lb (12 kg)	6207	31 lb (14 kg)	6307	35 lb (16 kg)	2
6108	30 lb (13.5 kg)	6208	35 lb (16 kg)	6308	40 lb (18 kg)	2
6109	34 lb (15.5 kg)	6209	40 lb (18 kg)	6309	45 lb (20.5 kg)	3
6110	37 lb (17 kg)	6210	43 lb (19.5 kg)	6310	50 lb (22.5 kg)	3
6111	41 lb (18.5 kg)	6211	47 lb (21.5 kg)	6311	54 lb (24.5 kg)	3
6112	44 lb (20 kg)	6212	53 lb (24 kg)	6312	60 lb (27 kg)	4
6113	48 lb (22 kg)	6213	56 lb (25.5 kg)	6313	64 lb (29 kg)	4
6114	53 lb (24 kg)	6214	61 lb (27.5 kg)	6314	69 lb (31.5 kg)	4
6115	56 lb (25.5 kg)	6215	65 lb (29.5 kg)	6315	74 lb (33.5 kg)	5

Standard Installation with Wall Mounting and Extension Screen

Warning - Incorrect installation may cause the screen to fall down and injure patients or staff. Your installation staff are responsible for ensuring that the fasteners are suitable for the wall, that the wall is in good condition, and that the wall and fasteners can support the weight of the screen system and other forces that may occur during normal use.

Your installation staff are also responsible for ensuring that the installed products will not be exposed to external damaging forces, e.g. doors that may crash into them when opened. When there is such a risk, measures must be taken to protect the screen and its accessories.

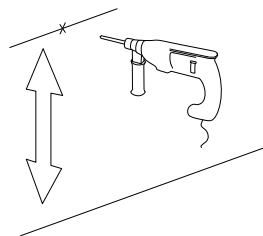
Warning - Never drill holes in the wall or floor if there are water pipes, gas pipes or electric wiring beneath, as this may result in water leakage, fire or electric shock.

Warning - The screens are designed to be used indoors on smooth, level flooring. Installation and use on floors that are not horizontal may be unsafe and will void the warranty.

Art. No.
 6162 - 6165
 6262 - 6265
 6362 - 6365
 6105 - 6115
 6205 - 6215
 6305 - 6315
 6539, 6544,
 6540

1.

Screen height	Distance from floor
6'1" (1.85 m)	16.14" (410 mm)
5'5" (1.65 m)	16.14" (410 mm)
4'9" (1.45 m)	12.20" (310 mm)



1. Mark and drill a hole for the lower fastening screw. Distance from floor: 12.20" for screen of 4'9" height, 16.14" for screen of 5'5" or 6'1" height.

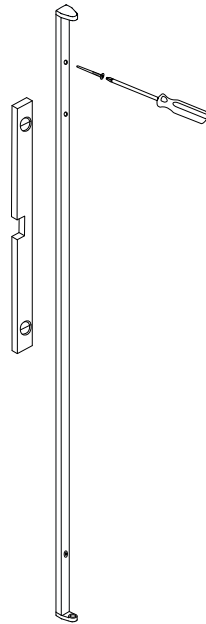
Warning - It is important that the wall mounting is fastened at the correct height to prevent abnormal strain on the fastening components. This could damage the screen or the fastening components, causing the screen to fall down.

2.

6539
 6544
 6540

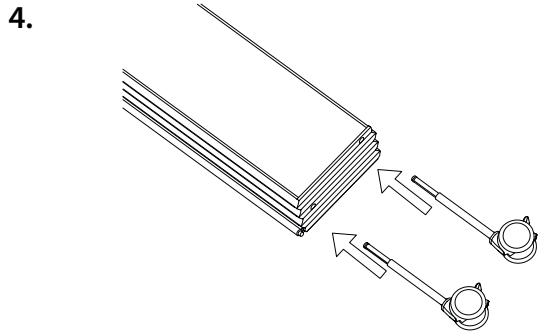


3.



2. Fasten the lower end of the wall mounting to the wall. The upper end of the wall mounting is marked by an arrow and the word UP.

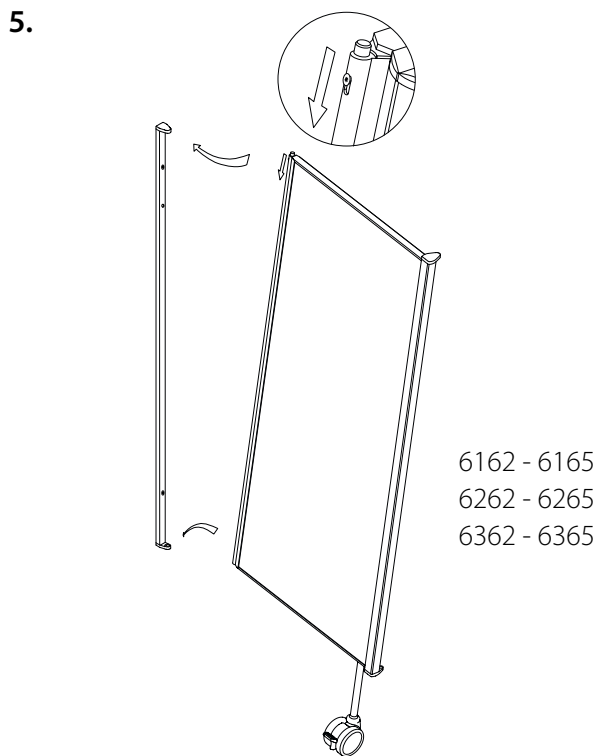
3. Make sure the wall mounting **is vertical**. Mark and drill a hole for the upper end of the wall mounting and fasten it to the wall.



4. Push the wheels into the screen. Make sure the wheels are inserted into all the wheel holes.



Warning - Missing wheels can make the screen unstable and cause it to fall.



5. Attach the screen by inserting the bottom pin of the screen into the bottom hole of the wall mounting. Press the upper pin down using the torx screw on the side to get the pin into the upper hole.

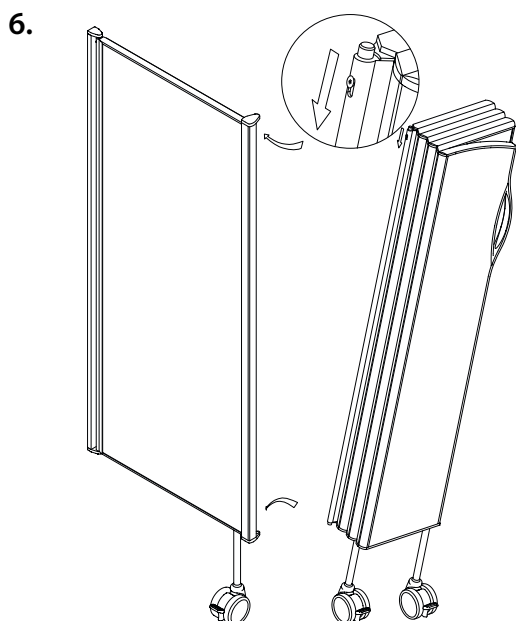
6. Attach the screen to the extension screen in the same way as the extension screen was attached to the wall mounting.



Warning - The pins on the screens must be correctly inserted in the holes on the wall mounting/screen extension, otherwise the screens may detach and fall down.



Warning - If found to be needed in the care situation, tighten the torx screw (T20) to prevent anyone from detaching the screen accidentally or on purpose. Make sure the screw is in the top position after tightening it.



Art. No.	Weight	No. of Wheels
6162	8 lb (3.5 kg)	1
6163	11 lb (5 kg)	1
6164	13 lb (6 kg)	1
6165	16 lb (7.5 kg)	1
6262	8 lb (3.5 kg)	1
6263	12 lb (5.5 kg)	1
6264	15 lb (7 kg)	1
6265	18 lb (8 kg)	1
6362	9 lb (4 kg)	1
6363	13 lb (6 kg)	1
6364	16 (7.5 kg)	1
6365	20 lb (9 kg)	1

Installation with 0.80" (20 mm) Spacers

Warning - Incorrect installation may cause the screen to fall down and injure patients or staff. Your installation staff are responsible for ensuring that the fasteners are suitable for the wall, that the wall is in good condition, and that the wall and fasteners can support the weight of the screen system and other forces that may occur during normal use.

Your installation staff are also responsible for ensuring that the installed products will not be exposed to external damaging forces, e.g. doors that may crash into them when opened. When there is such a risk, measures must be taken to protect the screen and its accessories.

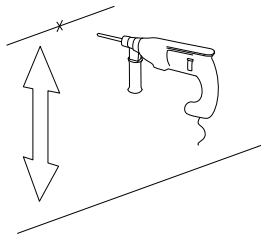
Warning - Never drill holes in the wall or floor if there are water pipes, gas pipes or electric wiring beneath, as this may result in water leakage, fire or electric shock.

Warning - The screens are designed to be used indoors on smooth, level flooring. Installation and use on floors that are not horizontal may be unsafe and will void the warranty.

Art. No.
6506
6105 - 6115
6205 - 6215
6305 - 6315
6539, 6544,
6540

1.

Screen height	Distance from floor
6'1" (1.85 m)	16.14" (410 mm)
5'5" (1.65 m)	16.14" (410 mm)
4'9" (1.45 m)	12.20" (310 mm)



1. Mark and drill a hole for the lower fastening screw. Distance from floor: 12.20" for screen of 4'9" height, 16.14" for screen of 5'5" or 6'1" height.

Warning - It is important that the wall mounting is fastened at the correct height to prevent abnormal strain on the fastening components. This could damage the screen or the fastening components, causing the screen to fall down.

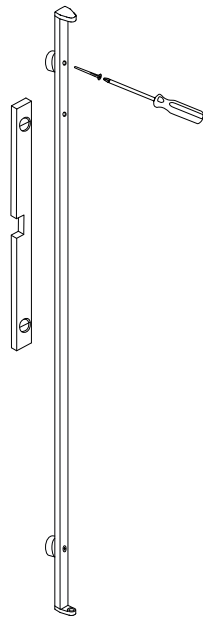
2.

6539
 6544
 6540



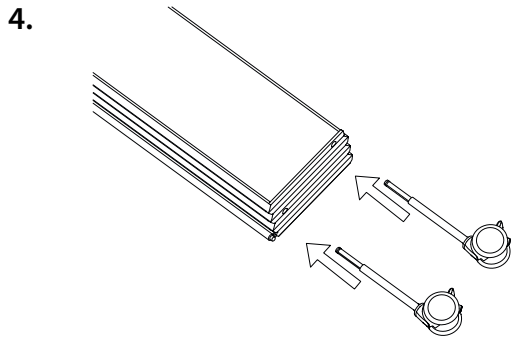
6506

3.



2. Fasten the lower end of the wall mounting to the wall, placing the spacer between the wall mounting and the wall. The upper end of the wall mounting is marked by an arrow and the word UP.

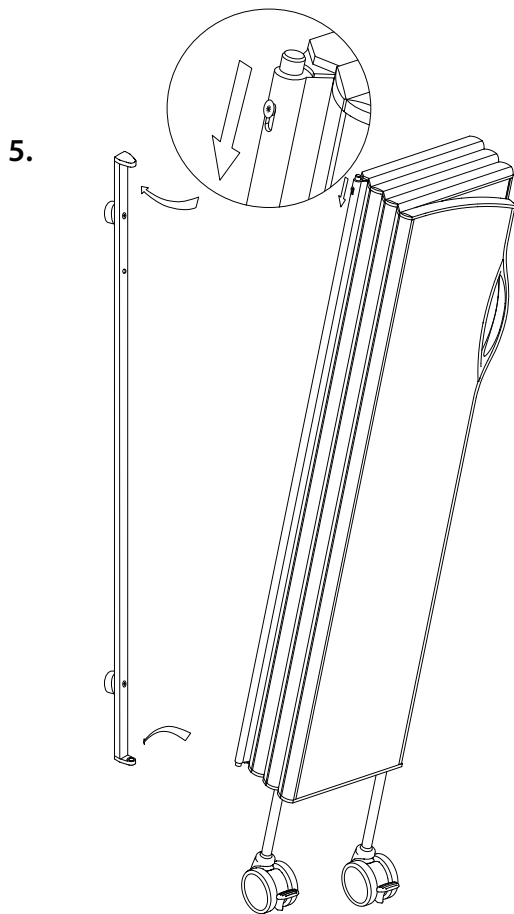
3. Make sure the wall mounting **is vertical**. Mark and drill a hole for the upper end of the wall mounting and fasten it to the wall.



4. Push the wheels into the screen. Make sure the wheels are inserted into all the wheel holes.



Warning - Missing wheels can make the screen unstable and cause it to fall.



5. Attach the screen by inserting the bottom pin of the screen into the bottom hole of the wall mounting. Press the upper pin down using the torx screw on the side to get the pin into the upper hole.



Warning - The pins on the screen must be correctly inserted in the holes on the wall mounting, otherwise the screen may detach and fall down.



Warning - If found to be needed in the care situation, tighten the torx screw (T20) to prevent anyone from detaching the screen accidentally or on purpose. Make sure the screw is in the top position after tightening it.

The longest screens (12-15 sections) are intended for use in an L-shape around the bed.

Art. No.	Weight	Art. No.	Weight	Art. No.	Weight	No. of Wheels
6105	18 lb (8 kg)	6205	21 lb (9.5 kg)	6305	25 lb (11.5 kg)	1
6106	23 lb (10.5 kg)	6206	26 lb (12 kg)	6306	30 lb (13.5 kg)	2
6107	26 lb (12 kg)	6207	31 lb (14 kg)	6307	35 lb (16 kg)	2
6108	30 lb (13.5 kg)	6208	35 lb (16 kg)	6308	40 lb (18 kg)	2
6109	34 lb (15.5 kg)	6209	40 lb (18 kg)	6309	45 lb (20.5 kg)	3
6110	37 lb (17 kg)	6210	43 lb (19.5 kg)	6310	50 lb (22.5 kg)	3
6111	41 lb (18.5 kg)	6211	47 lb (21.5 kg)	6311	54 lb (24.5 kg)	3
6112	44 lb (20 kg)	6212	53 lb (24 kg)	6312	60 lb (27 kg)	4
6113	48 lb (22 kg)	6213	56 lb (25.5 kg)	6313	64 lb (29 kg)	4
6114	53 lb (24 kg)	6214	61 lb (27.5 kg)	6314	69 lb (31.5 kg)	4
6115	56 lb (25.5 kg)	6215	65 lb (29.5 kg)	6315	74 lb (33.5 kg)	5

Installation with 4" (100 mm) or 8" (200 mm) Spacers

Warning - Incorrect installation may cause the screen to fall down and injure patients or staff. Your installation staff are responsible for ensuring that the fasteners are suitable for the wall, that the wall is in good condition, and that the wall and fasteners can support the weight of the screen system and other forces that may occur during normal use.

Your installation staff are also responsible for ensuring that the installed products will not be exposed to external damaging forces, e.g. doors that may crash into them when opened. When there is such a risk, measures must be taken to protect the screen and its accessories.

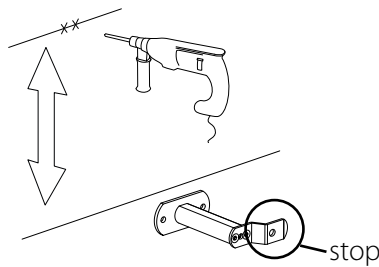
Warning - Never drill holes in the wall or floor if there are water pipes, gas pipes or electric wiring beneath, as this may result in water leakage, fire or electric shock.

Warning - The screens are designed to be used indoors on smooth, level flooring. Installation and use on floors that are not horizontal may be unsafe and will void the warranty.

Art. No.
 6507, 6508
 6105 - 6115
 6205 - 6215
 6305 - 6315
 6539, 6544,
 6540

1.

Screen height	Distance from floor
6'1" (1.85 m)	16.14" (410 mm)
5'5" (1.65 m)	16.14" (410 mm)
4'9" (1.45 m)	12.20" (310 mm)



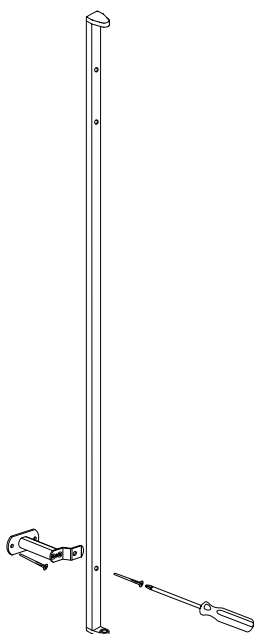
1. Mark and drill a hole for the lower fastening screw. Distance from floor: 12.20" for screen of 4'9" height, 16.14" for screen of 5'5" or 6'1" height.

Warning - It is important that the wall mounting is fastened at the correct height to prevent abnormal strain on the fastening components. This could damage the screen or the fastening components, causing the screen to fall down.

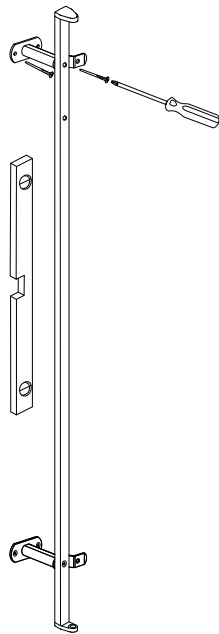
2.

6539
 6544
 6540

6507
 6508



3.

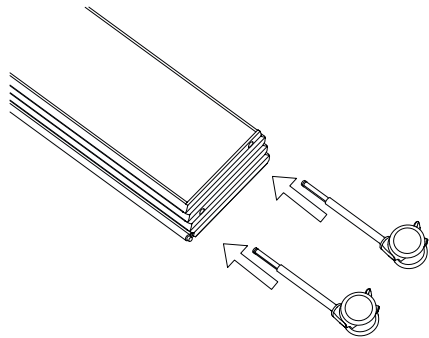


2. Fasten the lower spacer to the wall. Fasten the lower end of the wall mounting to the spacer. The upper end of the wall mounting is marked by an arrow and the word UP.

Warning - To function correctly, the spacer must be positioned with the protruding stop to the right, unless you have a reversed model screen, in which case the stop should be to the left. Otherwise the screen or the fastening components could be damaged, causing the screen to fall down.

3. Fasten the other spacer to the upper end of the wall mounting. Make sure the wall mounting **is vertical**. Mark and drill holes for the spacer and fasten it to the wall.

4.

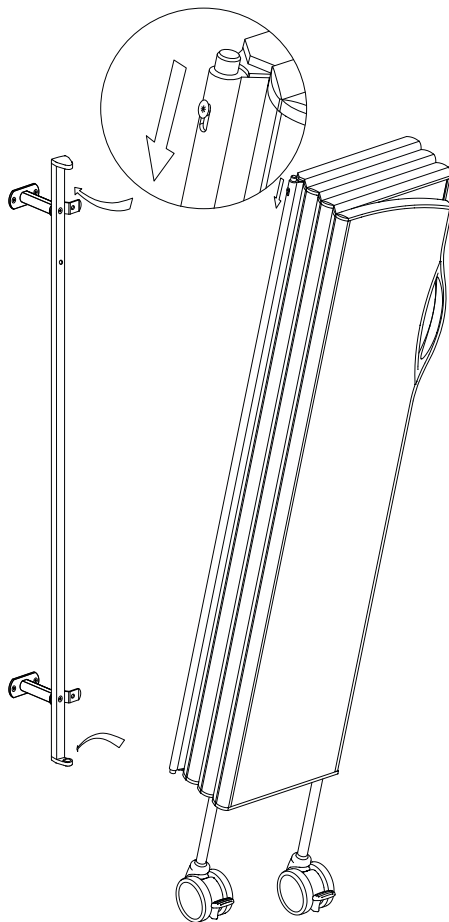


4. Push the wheels into the screen. Make sure the wheels are inserted into all the wheel holes.



Warning - Missing wheels can make the screen unstable and cause it to fall.

5.



5. Attach the screen by inserting the bottom pin of the screen into the bottom hole of the wall mounting. Press the upper pin down using the torx screw on the side to get the pin into the upper hole.



Warning - The pins on the screen must be correctly inserted in the holes on the wall mounting, otherwise the screen may detach and fall down.



Warning - If found to be needed in the care situation, tighten the torx screw (T20) to prevent anyone from detaching the screen accidentally or on purpose. Make sure the screw is in the top position after tightening it.

The longest screens (12-15 sections) are intended for use in an L-shape around the bed.

Art. No.	Weight	Art. No.	Weight	Art. No.	Weight	No. of Wheels
6105	18 lb (8 kg)	6205	21 lb (9.5 kg)	6305	25 lb (11.5 kg)	1
6106	23 lb (10.5 kg)	6206	26 lb (12 kg)	6306	30 lb (13.5 kg)	2
6107	26 lb (12 kg)	6207	31 lb (14 kg)	6307	35 lb (16 kg)	2
6108	30 lb (13.5 kg)	6208	35 lb (16 kg)	6308	40 lb (18 kg)	2
6109	34 lb (15.5 kg)	6209	40 lb (18 kg)	6309	45 lb (20.5 kg)	3
6110	37 lb (17 kg)	6210	43 lb (19.5 kg)	6310	50 lb (22.5 kg)	3
6111	41 lb (18.5 kg)	6211	47 lb (21.5 kg)	6311	54 lb (24.5 kg)	3
6112	44 lb (20 kg)	6212	53 lb (24 kg)	6312	60 lb (27 kg)	4
6113	48 lb (22 kg)	6213	56 lb (25.5 kg)	6313	64 lb (29 kg)	4
6114	53 lb (24 kg)	6214	61 lb (27.5 kg)	6314	69 lb (31.5 kg)	4
6115	56 lb (25.5 kg)	6215	65 lb (29.5 kg)	6315	74 lb (33.5 kg)	5

Installation with Two Pieces of Adjustable Spacer

Warning - Incorrect installation may cause the screen to fall down and injure patients or staff. Your installation staff are responsible for ensuring that the fasteners are suitable for the wall, that the wall is in good condition, and that the wall and fasteners can support the weight of the screen system and other forces that may occur during normal use.

Your installation staff are also responsible for ensuring that the installed products will not be exposed to external damaging forces, e.g. doors that may crash into them when opened. When there is such a risk, measures must be taken to protect the screen and its accessories.

Warning - Never drill holes in the wall or floor if there are water pipes, gas pipes or electric wiring beneath, as this may result in water leakage, fire or electric shock.

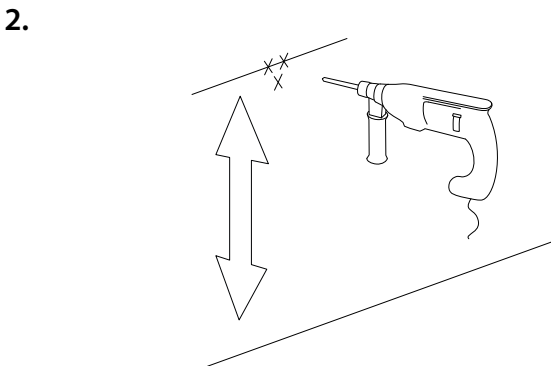
Warning - The screens are designed to be used indoors on smooth, level flooring. Installation and use on floors that are not horizontal may be unsafe and will void the warranty.

Art. No.
 6509, 6510
 6105 - 6115
 6205 - 6215
 6305 - 6315
 6539, 6544,
 6540

1. Mark and drill a hole for the lower fastening screw. Distance from floor: 12.20" for screen of 4'9" height, 16.14" for screen of 5'5" or 6'1" height.

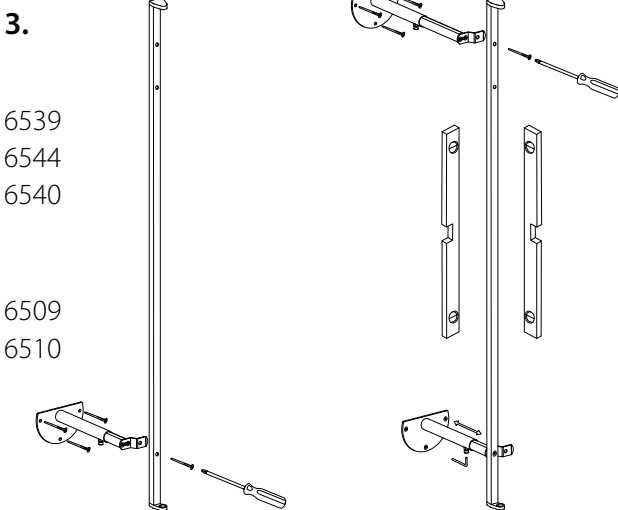
Screen height	Distance from floor
6'1" (1.85 m)	16.14" (410 mm)
5'5" (1.65 m)	16.14" (410 mm)
4'9" (1.45 m)	12.20" (310 mm)

Warning - It is important that the wall mounting is fastened at the correct height to prevent abnormal strain on the fastening components. This could damage the screen or the fastening components, causing the screen to fall down.

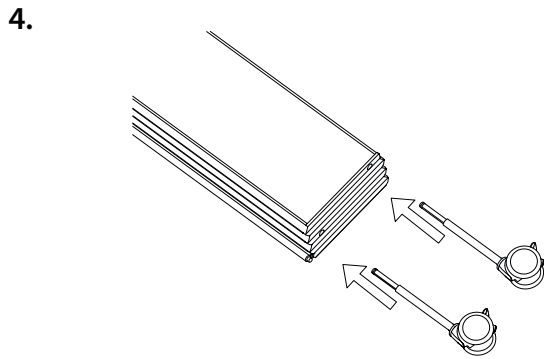


2. Fasten the lower spacer to the wall. Fasten the lower end of the wall mounting to the spacer. The upper end of the wall mounting is marked by an arrow and the word UP.

Warning - To function correctly, the spacer must be positioned with the protruding stop to the right, unless you have a reversed model screen, in which case the stop should be to the left. Otherwise the screen or the fastening components could be damaged, causing the screen to fall down.

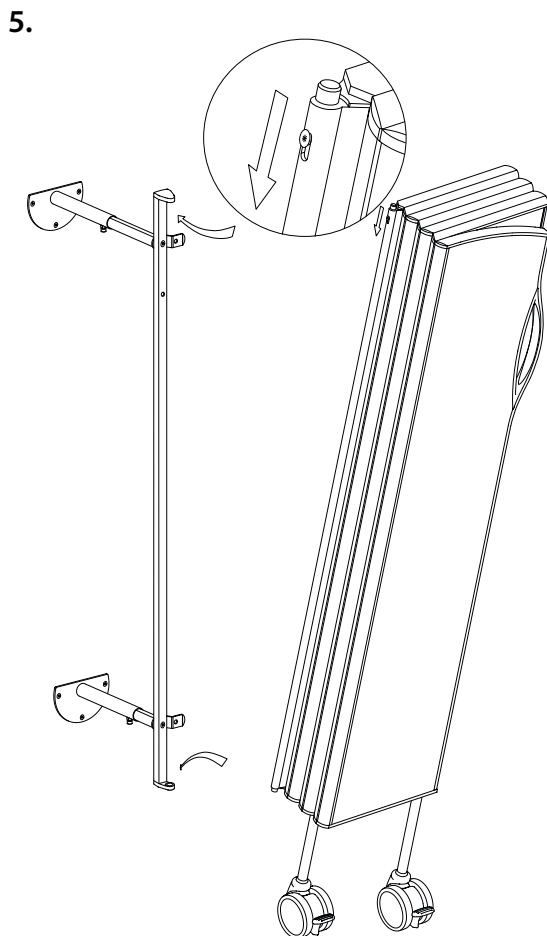


3. Fasten the wall mounting to the upper spacer. Adjust the spacers to the desired length and lock them in position by tightening the hex socket screw securely. Make sure the wall mounting **is vertical in both directions**, by adjusting the length of the spacers and the fastening points of the upper spacer. Mark and drill holes for the upper spacer and fasten it to the wall.



4. Push the wheels into the screen. Make sure the wheels are inserted into all the wheel holes.

Warning - Missing wheels can make the screen unstable and cause it to fall.



5. Attach the screen by inserting the bottom pin of the screen into the bottom hole of the wall mounting. Press the upper pin down using the torx screw on the side to get the pin into the upper hole.

Warning - The pins on the screen must be correctly inserted in the holes on the wall mounting, otherwise the screen may detach and fall down.

Warning - If found to be needed in the care situation, tighten the torx screw (T20) to prevent anyone from detaching the screen accidentally or on purpose. Make sure the screw is in the top position after tightening it.

The longest screens (12-15 sections) are intended for use in an L-shape around the bed.

Art. No.	Weight	Art. No.	Weight	Art. No.	Weight	No. of Wheels
6105	18 lb (8 kg)	6205	21 lb (9.5 kg)	6305	25 lb (11.5 kg)	1
6106	23 lb (10.5 kg)	6206	26 lb (12 kg)	6306	30 lb (13.5 kg)	2
6107	26 lb (12 kg)	6207	31 lb (14 kg)	6307	35 lb (16 kg)	2
6108	30 lb (13.5 kg)	6208	35 lb (16 kg)	6308	40 lb (18 kg)	2
6109	34 lb (15.5 kg)	6209	40 lb (18 kg)	6309	45 lb (20.5 kg)	3
6110	37 lb (17 kg)	6210	43 lb (19.5 kg)	6310	50 lb (22.5 kg)	3
6111	41 lb (18.5 kg)	6211	47 lb (21.5 kg)	6311	54 lb (24.5 kg)	3
6112	44 lb (20 kg)	6212	53 lb (24 kg)	6312	60 lb (27 kg)	4
6113	48 lb (22 kg)	6213	56 lb (25.5 kg)	6313	64 lb (29 kg)	4
6114	53 lb (24 kg)	6214	61 lb (27.5 kg)	6314	69 lb (31.5 kg)	4
6115	56 lb (25.5 kg)	6215	65 lb (29.5 kg)	6315	74 lb (33.5 kg)	5

Installation with One Piece of Adjustable Spacer

Warning - Incorrect installation may cause the screen to fall down and injure patients or staff. Your installation staff are responsible for ensuring that the fasteners are suitable for the wall, that the wall is in good condition, and that the wall and fasteners can support the weight of the screen system and other forces that may occur during normal use.

Your installation staff are also responsible for ensuring that the installed products will not be exposed to external damaging forces, e.g. doors that may crash into them when opened. When there is such a risk, measures must be taken to protect the screen and its accessories.

Warning - Never drill holes in the wall or floor if there are water pipes, gas pipes or electric wiring beneath, as this may result in water leakage, fire or electric shock.

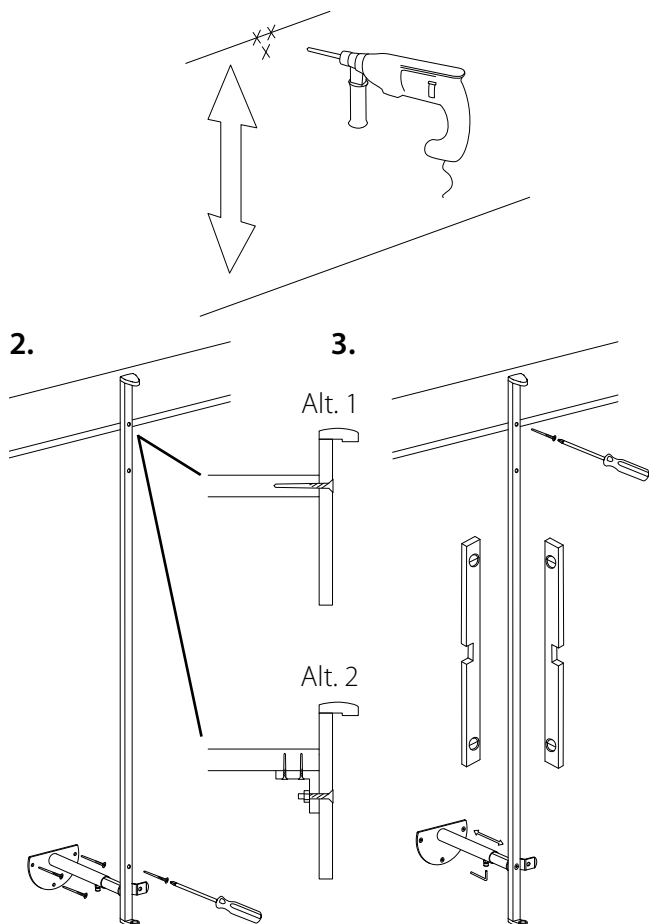
Warning - The screens are designed to be used indoors on smooth, level flooring. Installation and use on floors that are not horizontal may be unsafe and will void the warranty.

Art. No.
6509, 6510
6105 - 6115
6205 - 6215
6305 - 6315
6539, 6544,
6540

- 1.** Mark and drill a hole for the lower fastening screw. Distance from floor: 12.20" for screen of 4'9" height, 16.14" for screen of 5'5" or 6'1" height.

Screen height	Distance from floor
6'1" (1.85 m)	16.14" (410 mm)
5'5" (1.65 m)	16.14" (410 mm)
4'9" (1.45 m)	12.20" (310 mm)

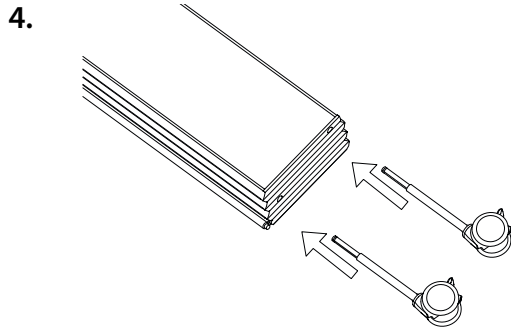
Warning - It is important that the wall mounting is fastened at the correct height to prevent abnormal strain on the fastening components. This could damage the screen or the fastening components, causing the screen to fall down.



- 2.** Fasten the lower spacer to the wall. Fasten the lower end of the wall mounting to the spacer. The upper end of the wall mounting is marked by an arrow and the word UP.

Warning - To function correctly, the spacer must be positioned with the protruding stop to the right, unless you have a reversed model screen, in which case the stop should be to the left. Otherwise the screen or the fastening components could be damaged, causing the screen to fall down.

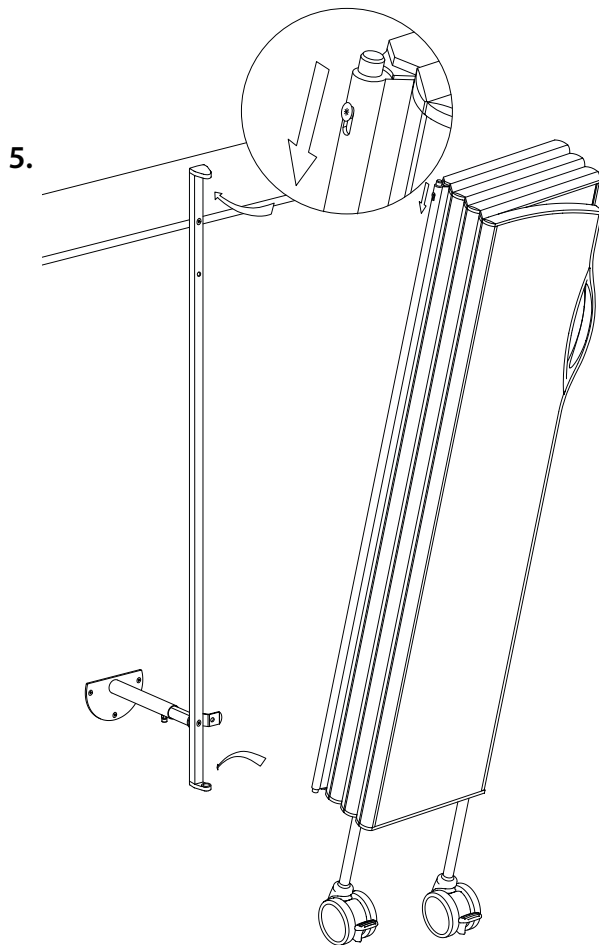
- 3.** Make sure the wall mounting is vertical in both directions, by adjusting the length of the spacer and the fastening point to the shelf. Fasten the upper end of the wall mounting to the shelf and tighten the hex socket screw under the adjustable spacer securely, to lock it in the correct position. The wall mounting can either be fastened directly to the shelf (Alt. 1) or to a bracket (Alt. 2) (bracket is not included). You may need to make a new hole in the wall mounting at the level of the shelf.



4. Push the wheels into the screen. Make sure the wheels are inserted into all the wheel holes.



Warning - Missing wheels can make the screen unstable and cause it to fall.



5. Attach the screen by inserting the bottom pin of the screen into the bottom hole of the wall mounting. Press the upper pin down using the torx screw on the side to get the pin into the upper hole.



Warning - The pins on the screen must be correctly inserted in the holes on the wall mounting, otherwise the screen may detach and fall down.



Warning - If found to be needed in the care situation, tighten the torx screw (T20) to prevent anyone from detaching the screen accidentally or on purpose. Make sure the screw is in the top position after tightening it.

The longest screens (12-15 sections) are intended for use in an L-shape around the bed.

Art. No.	Weight	Art. No.	Weight	Art. No.	Weight	No. of Wheels
6105	18 lb (8 kg)	6205	21 lb (9.5 kg)	6305	25 lb (11.5 kg)	1
6106	23 lb (10.5 kg)	6206	26 lb (12 kg)	6306	30 lb (13.5 kg)	2
6107	26 lb (12 kg)	6207	31 lb (14 kg)	6307	35 lb (16 kg)	2
6108	30 lb (13.5 kg)	6208	35 lb (16 kg)	6308	40 lb (18 kg)	2
6109	34 lb (15.5 kg)	6209	40 lb (18 kg)	6309	45 lb (20.5 kg)	3
6110	37 lb (17 kg)	6210	43 lb (19.5 kg)	6310	50 lb (22.5 kg)	3
6111	41 lb (18.5 kg)	6211	47 lb (21.5 kg)	6311	54 lb (24.5 kg)	3
6112	44 lb (20 kg)	6212	53 lb (24 kg)	6312	60 lb (27 kg)	4
6113	48 lb (22 kg)	6213	56 lb (25.5 kg)	6313	64 lb (29 kg)	4
6114	53 lb (24 kg)	6214	61 lb (27.5 kg)	6314	69 lb (31.5 kg)	4
6115	56 lb (25.5 kg)	6215	65 lb (29.5 kg)	6315	74 lb (33.5 kg)	5

Installation with Clamps and Std. Wall Mounting

Warning - Incorrect installation may cause the screen to fall down and injure patients or staff. Your installation staff are responsible for ensuring that the wall rails are correctly installed, that the wall is in good condition, and that the wall and wall rails can support the weight of the screen system and other forces that may occur during normal use.

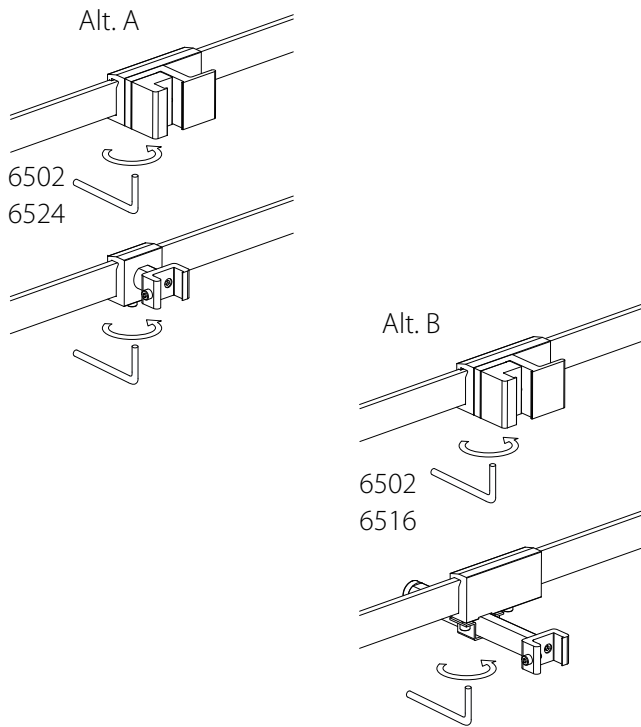
Your installation staff are also responsible for ensuring that the installed products will not be exposed to external damaging forces, e.g. doors that may crash into them when opened. When there is such a risk, measures must be taken to protect the screen and its accessories.

Warning - The screens are designed to be used indoors on smooth, level flooring. Installation and use on floors that are not horizontal may be unsafe and will void the warranty.

For ease of use it is recommended that screens are mounted on two wall rails. If a single wall rail is used, it should be installed at the same height as the handle on the screen. Otherwise it is recommended that a back support (6519) or adjustable spacer (6509, 6510) is fitted.

Art. No.
6502, 6535
6524, 6516
6105 - 6115
6205 - 6215
6305 - 6315
6539, 6544,
6540

1.



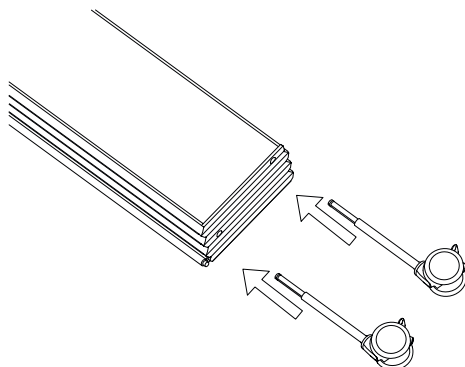
1. Mount the clamp to the upper wall rail and the support clamp to the lower wall rail, aligning the openings vertically on top of each other. **Tighten the screws** under the clamps properly, to prevent them from sliding sideways on the rails or falling down.

Alt. A: The wall rails are at the same distance from the wall.

Alt. B: The wall rails are at different distances from the wall.

Warning - It is important that the clamps are correctly installed and tightly secured to the wall rails. Otherwise the screen or the fastening components could be damaged, causing the screen to fall down.

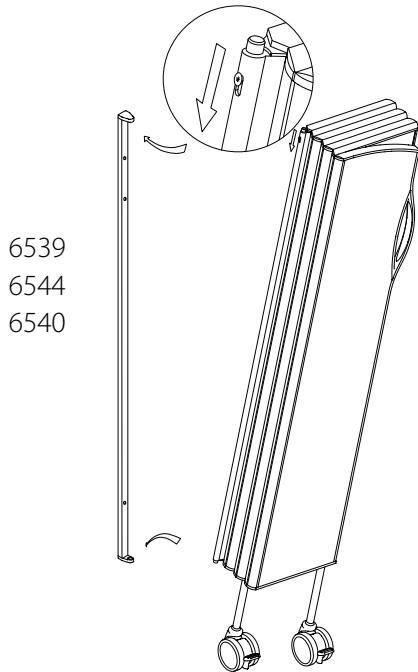
2.



2. Push the wheels into the screen. Make sure the wheels are inserted into all the wheel holes.

Warning - Missing wheels can make the screen unstable and cause it to fall.

3.

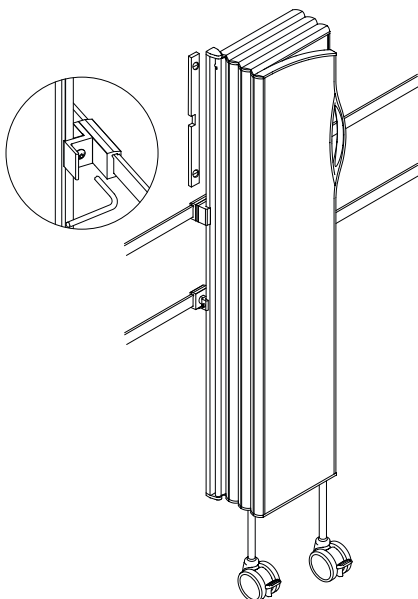


3. Attach the wall mounting to the screen by inserting the bottom pin of the screen into the bottom hole of the wall mounting. Press the upper pin down using the torx screw on the side to get the pin into the upper hole.

Warning - The pins on the screen must be correctly inserted in the holes on the wall mounting, otherwise the screen may detach and fall down.

Warning - If found to be needed in the care situation, tighten the torx screw (T20) to prevent anyone from detaching the screen accidentally or on purpose. Make sure the screw is in the top position after tightening it.

4.



4. Insert the wall mounting into the clamps. Make sure it is **vertical in both directions**. For adjustable clamp (Alt. B): Tighten the hex socket screws on the adjustable clamp securely to lock it in the correct position.

Tighten the screws on the clamps securely to lock the wall mounting inside and prevent the wall mounting from sliding vertically in the clamps.

Warning - Make sure that the wall mounting is properly placed in the clamps and cannot fall out.

The longest screens (12-15 sections) are intended for use in an L-shape around the bed.

Art. No.	Weight	Art. No.	Weight	Art. No.	Weight	No. of Wheels
6105	18 lb (8 kg)	6205	21 lb (9.5 kg)	6305	25 lb (11.5 kg)	1
6106	23 lb (10.5 kg)	6206	26 lb (12 kg)	6306	30 lb (13.5 kg)	2
6107	26 lb (12 kg)	6207	31 lb (14 kg)	6307	35 lb (16 kg)	2
6108	30 lb (13.5 kg)	6208	35 lb (16 kg)	6308	40 lb (18 kg)	2
6109	34 lb (15.5 kg)	6209	40 lb (18 kg)	6309	45 lb (20.5 kg)	3
6110	37 lb (17 kg)	6210	43 lb (19.5 kg)	6310	50 lb (22.5 kg)	3
6111	41 lb (18.5 kg)	6211	47 lb (21.5 kg)	6311	54 lb (24.5 kg)	3
6112	44 lb (20 kg)	6212	53 lb (24 kg)	6312	60 lb (27 kg)	4
6113	48 lb (22 kg)	6213	56 lb (25.5 kg)	6313	64 lb (29 kg)	4
6114	53 lb (24 kg)	6214	61 lb (27.5 kg)	6314	69 lb (31.5 kg)	4
6115	56 lb (25.5 kg)	6215	65 lb (29.5 kg)	6315	74 lb (33.5 kg)	5

Installation with Clamp and Back Support

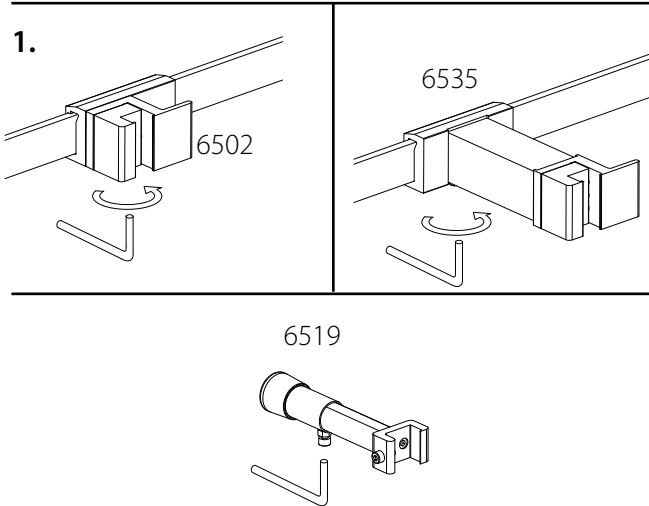
Warning - Incorrect installation may cause the screen to fall down and injure patients or staff. Your installation staff are responsible for ensuring that the wall rails are correctly installed, that the wall is in good condition, and that the wall and wall rails can support the weight of the screen system and other forces that may occur during normal use.

Your installation staff are also responsible for ensuring that the installed products will not be exposed to external damaging forces, e.g. doors that may crash into them when opened. When there is such a risk, measures must be taken to protect the screen and its accessories.

Warning - The screens are designed to be used indoors on smooth, level flooring. Installation and use on floors that are not horizontal may be unsafe and will void the warranty.

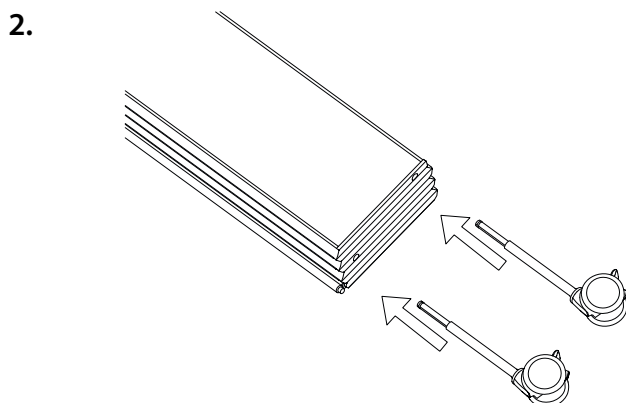
For ease of use it is recommended that screens are mounted on two wall rails. If a single wall rail is used, it should be installed at the same height as the handle on the screen. Otherwise it is recommended that a back support (6519) or adjustable spacer (6509, 6510) is fitted.

Art. No.
6502, 6535
6519
6105 - 6115
6205 - 6215
6305 - 6315
6539, 6544,
6540



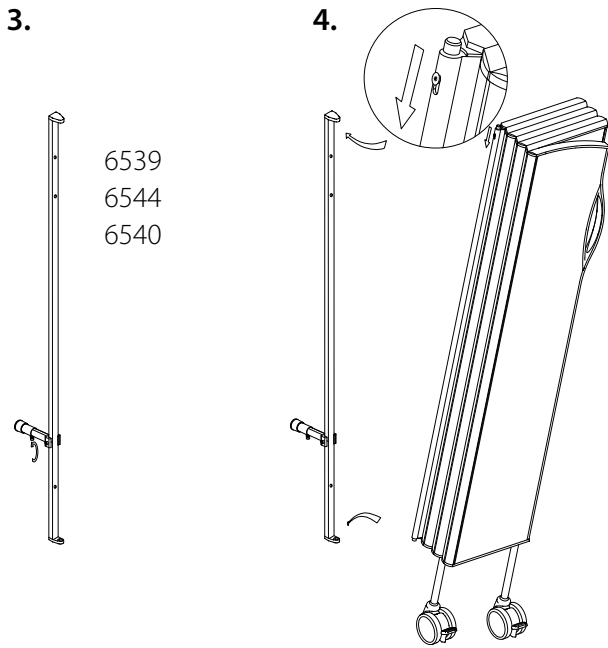
1. Mount the clamp to the wall rail. Tighten the screws under the clamp properly, to prevent the clamp from sliding sideways on the rail or falling down.

Warning - It is important that the clamps are tightly secured to the wall rails. Otherwise the screen or the fastening components could be damaged, causing the screen to fall down.



2. Push the wheels into the screen. Make sure the wheels are inserted into all the wheel holes.

Warning - Missing wheels can make the screen unstable and cause it to fall.

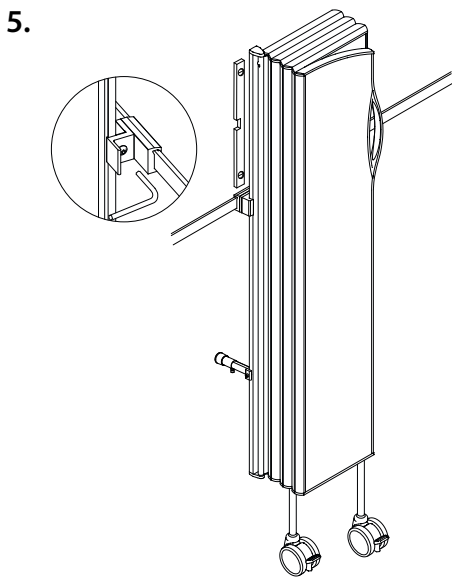


3. Insert the wall mounting into the back support and tighten the screw properly to lock the wall mounting inside and prevent it from sliding vertically.

4. Attach the wall mounting to the screen by inserting the bottom pin of the screen into the bottom hole of the wall mounting. Press the upper pin down using the torx screw on the side to get the pin into the upper hole.

Warning - The pins on the screen must be correctly inserted in the holes on the wall mounting, otherwise the screen may detach and fall down.

Warning - If found to be needed in the care situation, tighten the torx screw (T20) to prevent anyone from detaching the screen accidentally or on purpose. Make sure the screw is in the top position after tightening it.



5. Insert the wall mounting into the clamp. Make sure it is **vertical in both directions**. Adjust the length of the back support to make the support rest on the wall when the wall mounting is vertical. Tighten the hex socket screw underneath securely to lock it in the correct position.

Tighten the screw on the clamp securely to lock the wall mounting inside and prevent the wall mounting from sliding vertically in the clamp.

Warning - Make sure that the wall mounting is properly placed in the clamp and cannot fall out.

The longest screens (12-15 sections) are intended for use in an L-shape around the bed.

Art. No.	Weight	Art. No.	Weight	Art. No.	Weight	No. of Wheels
6105	18 lb (8 kg)	6205	21 lb (9.5 kg)	6305	25 lb (11.5 kg)	1
6106	23 lb (10.5 kg)	6206	26 lb (12 kg)	6306	30 lb (13.5 kg)	2
6107	26 lb (12 kg)	6207	31 lb (14 kg)	6307	35 lb (16 kg)	2
6108	30 lb (13.5 kg)	6208	35 lb (16 kg)	6308	40 lb (18 kg)	2
6109	34 lb (15.5 kg)	6209	40 lb (18 kg)	6309	45 lb (20.5 kg)	3
6110	37 lb (17 kg)	6210	43 lb (19.5 kg)	6310	50 lb (22.5 kg)	3
6111	41 lb (18.5 kg)	6211	47 lb (21.5 kg)	6311	54 lb (24.5 kg)	3
6112	44 lb (20 kg)	6212	53 lb (24 kg)	6312	60 lb (27 kg)	4
6113	48 lb (22 kg)	6213	56 lb (25.5 kg)	6313	64 lb (29 kg)	4
6114	53 lb (24 kg)	6214	61 lb (27.5 kg)	6314	69 lb (31.5 kg)	4
6115	56 lb (25.5 kg)	6215	65 lb (29.5 kg)	6315	74 lb (33.5 kg)	5

Installation with Clamps and Wall Mounting with Floor Support

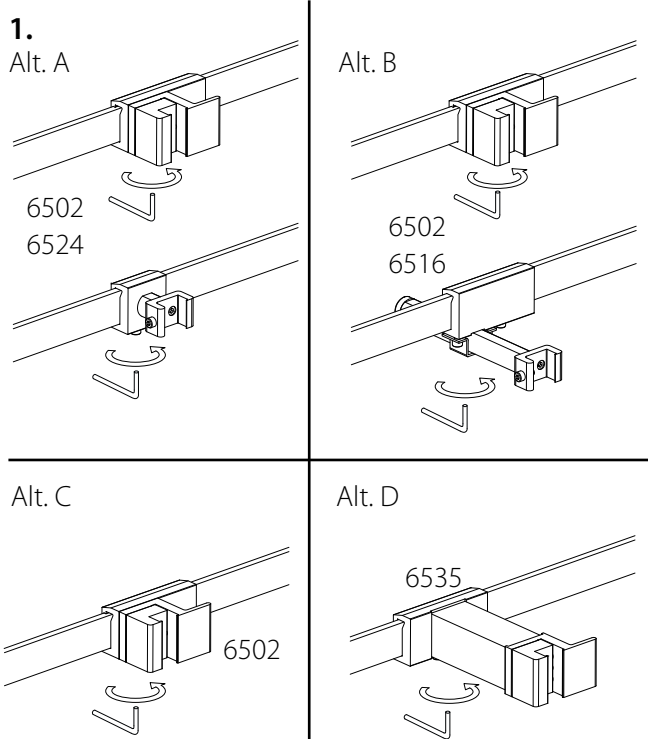
Warning - Incorrect installation may cause the screen to fall down and injure patients or staff. Your installation staff are responsible for ensuring that the wall rails are correctly installed, that the wall is in good condition, and that the wall and wall rails can support the weight of the screen system and other forces that may occur during normal use.

Your installation staff are also responsible for ensuring that the installed products will not be exposed to external damaging forces, e.g. doors that may crash into them when opened. When there is such a risk, measures must be taken to protect the screen and its accessories.

Warning - The screens are designed to be used indoors on smooth, level flooring. Installation and use on floors that are not horizontal may be unsafe and will void the warranty.

For ease of use it is recommended that screens are mounted on two wall rails. If a single wall rail is used, it should be installed at the same height as the handle on the screen. Otherwise it is recommended that a back support (6519) or adjustable spacer (6509, 6510) is fitted.

Art. No.
6502, 6535
6524, 6516
6105 - 6115
6205 - 6215
6305 - 6315
6537, 6545,
6538



1. Mount the clamp to the upper wall rail and the support clamp to the lower wall rail, aligning the openings vertically on top of each other. **Tighten the screws** under the clamps properly, to prevent them from sliding sideways on the rails or falling down.

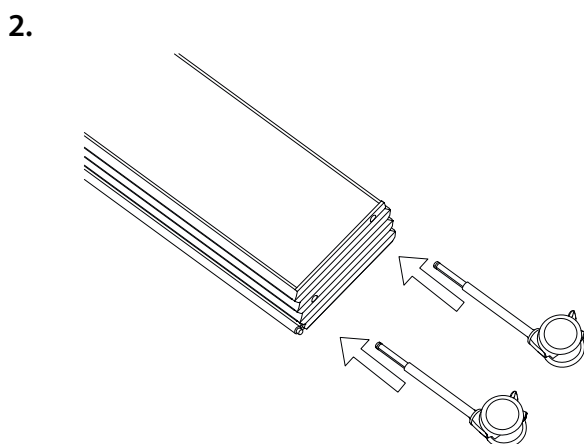
Alt. A: The wall rails are at the same distance from the wall.

Alt. B: The wall rails are at different distances from the wall.

Alt. C: Only one wall rail, Standard clamp.

Alt. D: Only one wall rail, Clamp with spacer.

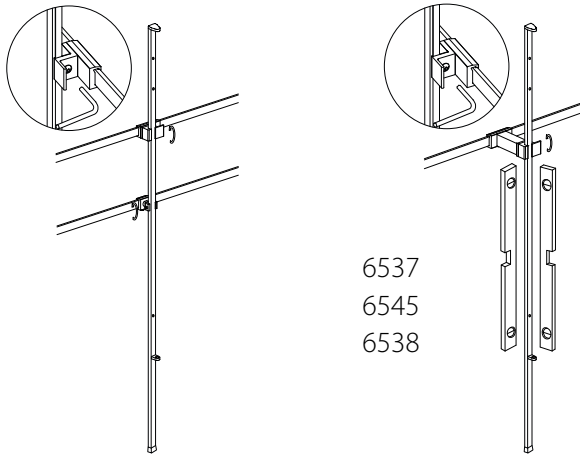
Warning - It is important that the clamps are tightly secured to the wall rails. Otherwise the screen or the fastening components could be damaged, causing the screen to fall down.



2. Push the wheels into the screen. Make sure the wheels are inserted into all the wheel holes.

Warning - Missing wheels can make the screen unstable and cause it to fall.

3.



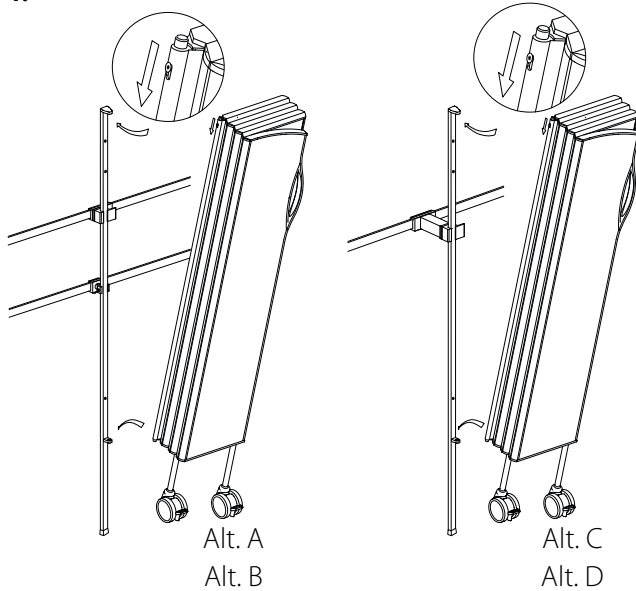
3. Insert the wall mounting into the clamps, allowing the wall mounting to rest on the floor. Make sure it is **vertical in both directions**. For adjustable clamp: Tighten the hex socket screws securely underneath the adjustable clamp to lock it in the correct position.

Tighten the screws on the clamps securely to lock the wall mounting inside and prevent the wall mounting from sliding vertically in the clamps.



Warning - Make sure that the wall mounting is properly placed in the clamps and cannot fall out.

4.



4. Attach the screen by inserting the bottom pin of the screen into the bottom hole of the wall mounting. Press the upper pin down using the torx screw on the side to get the pin into the upper hole.



Warning - The pins on the screen must be correctly inserted in the holes on the wall mounting, otherwise the screen may detach and fall down.



Warning - If found to be needed in the care situation, tighten the torx screw (T20) to prevent anyone from detaching the screen accidentally or on purpose. Make sure the screw is in the top position after tightening it.

The longest screens (12-15 sections) are intended for use in an L-shape around the bed.

Art. No.	Weight	Art. No.	Weight	Art. No.	Weight	No. of Wheels
6105	18 lb (8 kg)	6205	21 lb (9.5 kg)	6305	25 lb (11.5 kg)	1
6106	23 lb (10.5 kg)	6206	26 lb (12 kg)	6306	30 lb (13.5 kg)	2
6107	26 lb (12 kg)	6207	31 lb (14 kg)	6307	35 lb (16 kg)	2
6108	30 lb (13.5 kg)	6208	35 lb (16 kg)	6308	40 lb (18 kg)	2
6109	34 lb (15.5 kg)	6209	40 lb (18 kg)	6309	45 lb (20.5 kg)	3
6110	37 lb (17 kg)	6210	43 lb (19.5 kg)	6310	50 lb (22.5 kg)	3
6111	41 lb (18.5 kg)	6211	47 lb (21.5 kg)	6311	54 lb (24.5 kg)	3
6112	44 lb (20 kg)	6212	53 lb (24 kg)	6312	60 lb (27 kg)	4
6113	48 lb (22 kg)	6213	56 lb (25.5 kg)	6313	64 lb (29 kg)	4
6114	53 lb (24 kg)	6214	61 lb (27.5 kg)	6314	69 lb (31.5 kg)	4
6115	56 lb (25.5 kg)	6215	65 lb (29.5 kg)	6315	74 lb (33.5 kg)	5



Installation of Semifix Screen with Wall Mounting and Floor Pole

The installation staff are responsible for ensuring that the fasteners are suitable for the wall and floor, that the wall and floor are in good condition, and that the wall, floor and fasteners can support the weight of the screen system and other forces that may occur during normal use.

The screens are designed to be used **indoors** on smooth, level flooring. Installation and use on floors that are not horizontal may be unsafe and will void the warranty.

Art. No.

6143, 6144, 6145

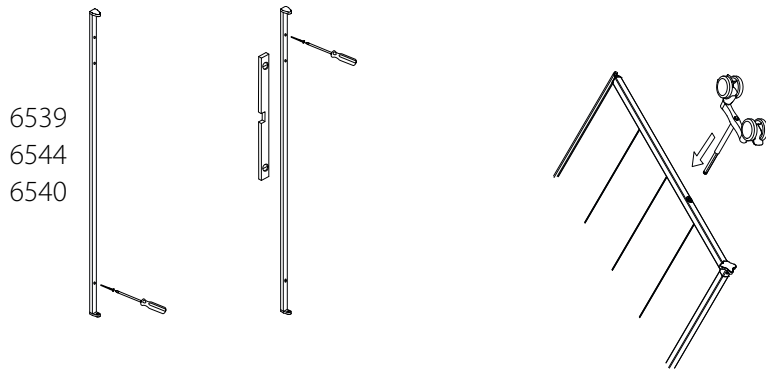
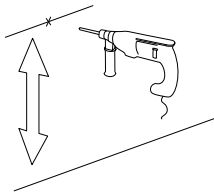
6243, 6244, 6245

6343, 6344, 6345

6539, 6544, 6540

6561, 6562, 6563

Screen height	Distance from floor
6'1" (1.85 m)	16.14" (410 mm)
5'5" (1.65 m)	16.14" (410 mm)
4'9" (1.45 m)	12.20" (310 mm)



1. Mark and drill a hole for the lower fastening screw.

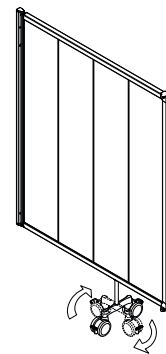
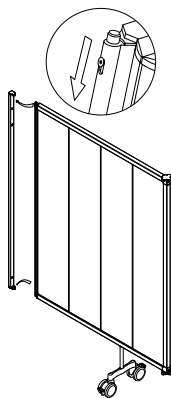
Distance from floor: 310 mm for screen of 1.45 m height, 410 mm for screen of 1.65 m or 1.85 m height.

2. Fasten the lower end of the wall mounting to the wall. The upper end of the wall mounting is marked by an arrow and the word UP.

3. Make sure the wall mounting is **vertical**. Mark and drill a hole for the upper end of the wall mounting and fasten it to the wall.

4. Push the wheels into the screen.

Make sure the wheels are inserted into all the wheel holes.

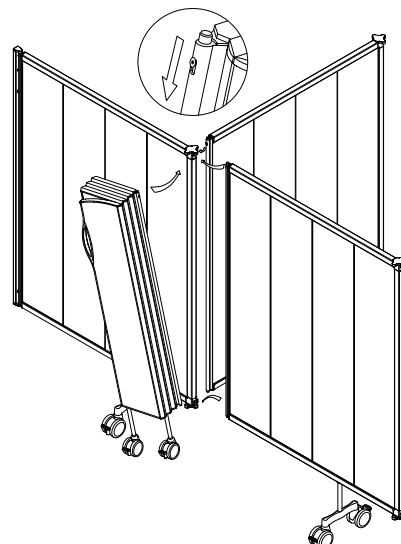


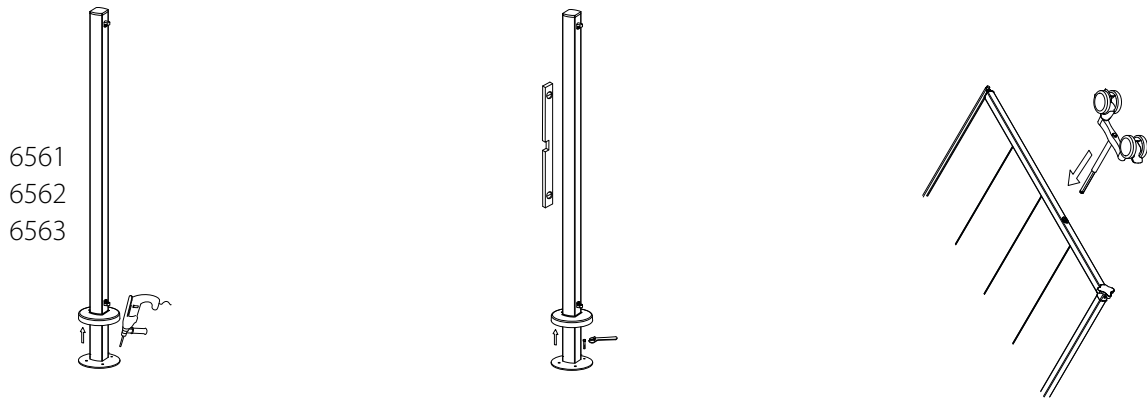
5. Attach the screen by inserting the bottom pin of the screen into the bottom hole of the wall mounting. Press the upper pin down using the torx screw on the side to get the pin into the upper hole.

If needed, the torx screw (T20) can be tightened to prevent anyone from detaching the screen accidentally. Make sure the screw is in the **top position** after tightening it.

6. The wheelbase can be rotated 90° for increased stability or extra floor space. The wheels automatically lock in two different positions, across or parallel with the screen. The wheel suspension compensates for uneven floors.

7. EasyClick makes it quick and easy to assemble and combine semifix screens. Connect up to three additional panels to build in four different directions with the EasyClick three-point connector or combine it with Silentia Folding screens.

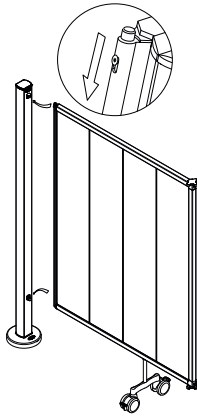




1. Put the floor pole in its intended position, lift the plastic cover of the floor pole and mark the drilling point on the floor. Move the pole aside and drill.

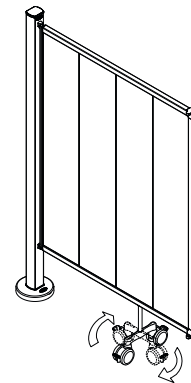
2. Move the floor pole back in place and check that it is **vertical** in all directions. Fasten the pole into place. Replace the plastic cover and fasten it with the screw included.

3. Push the wheels into the screen. Make sure the wheels are inserted into all the wheel holes.



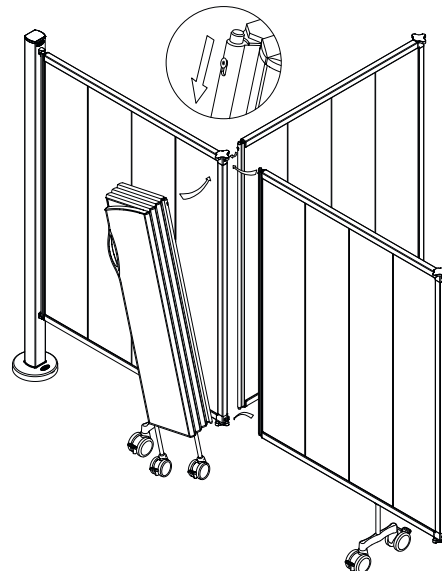
4. Attach the screen by inserting the bottom pin of the screen into the bottom hole of the floor pole. Press the upper pin down using the torx screw on the side to get the pin into the upper hole.

If needed, the torx screw (T20) can be tightened to prevent anyone from detaching the screen accidentally. Make sure the screw is in the **top position** after tightening it.



6. The wheelbase can be rotated 90° for increased stability or extra floor space. The wheels automatically lock in two different positions, across or parallel with the screen. The wheel suspension compensates for uneven floors.

7. EasyClick makes it quick and easy to assemble and combine semifix screens. Connect up to three additional panels to build in four different directions with the EasyClick three-point connector or combine it with Silentia Folding screens.



Installation of Fixed Screen with Wall Mounting and Floor Pole

Warning - Incorrect installation may cause the screen to fall down and injure patients or staff. Your installation staff are responsible for ensuring that the fasteners are suitable for the wall and floor, that the wall and floor are in good condition, and that the wall, floor and fasteners can support the weight of the screen system and other forces that may occur during normal use.

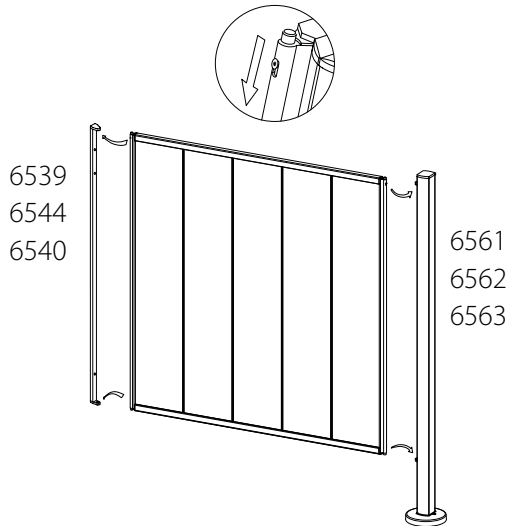
Your installation staff are also responsible for ensuring that the installed products will not be exposed to external damaging forces, e.g. doors that may crash into them when opened. When there is such a risk, measures must be taken to protect the screen and its accessories.

Warning - Never drill holes in the wall or floor if there are water pipes, gas pipes or electric wiring beneath, as this may result in water leakage, fire or electric shock.

Warning - The screens are designed to be used indoors on smooth, level flooring. Installation and use on floors that are not horizontal may be unsafe and will void the warranty.

Art. No.
 6150, 6155
 6250, 6255
 6350, 6355
 6539, 6544,
 6540
 6561, 6562,
 6563

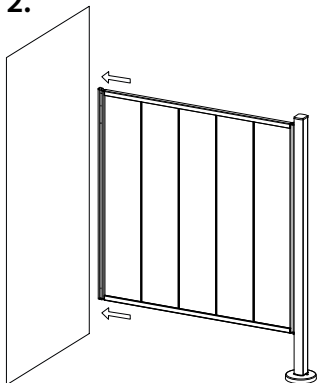
1.



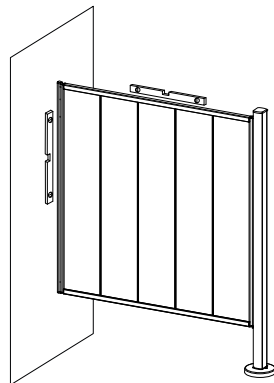
1. Attach the wall mounting and the floor pole to the screen by inserting the bottom pins of the screen into the bottom holes of the wall mounting and floor pole. Press the upper pins down using the torx screw on the side to get the pins into the upper holes. Make sure the torx screw is in the **top position**. The upper end of the wall mounting is marked by an arrow and the word UP.

Warning - The pins on the screen must be correctly inserted in the holes on the wall mounting and floor pole, otherwise the screen may detach and fall down.

2.

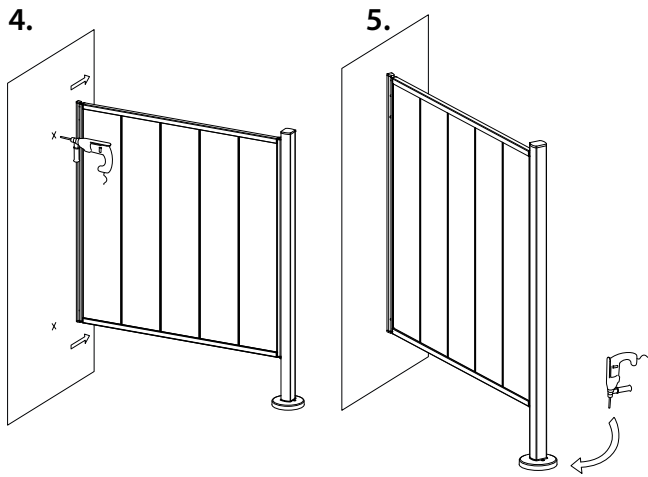


3.



2-3. Hold the screen against the wall in its intended position and check that it is **horizontal and vertical in all directions**.

Warning - It is important that the wall mounting is fastened at the correct height, to prevent abnormal strain on the fastening components. This could damage the screen or the fastening components, causing the screen to fall down.

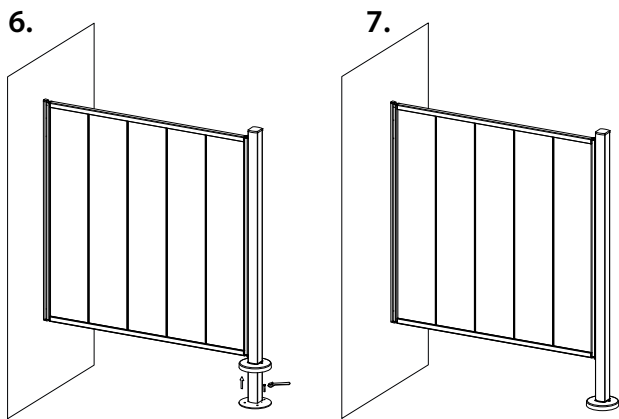


4. Mark the drilling point on the wall. Move the screen away and drill.

5. Remove the wall mounting from the screen and fasten it to the wall. Reattach the screen.

Warning - Make sure the screen is correctly attached and the torx screws are in the top position after reattachment (see instructions for picture 1), otherwise the screen may detach and fall down.

Lift the plastic cover of the floor pole and mark the drilling point on the floor. Move the screen aside and drill.



6. Move the screen back in place and fasten the pole.

7. Replace the plastic cover and fasten it with the screw included.

Art. No.	Weight
6150	14 lb (6.2 kg)
6155	25 lb (11.4 kg)
6250	16 lb (7.3 kg)
6255	29.5 lb (13.4 kg)
6350	18 lb (8.3 kg)
6355	34 lb (15.3 kg)
6561	7 lb (3.3 kg)
6562	7.5 lb (3.6 kg)
6563	8 lb (3.8 kg)

For installation of folding screens together with fixed screens, see page 27.

Installation of Fixed Screen with Two Floor Poles

Warning - Incorrect installation may cause the screen to fall down and injure patients or staff. Your installation staff are responsible for ensuring that the fasteners are suitable for the floor, that the floor is in good condition, and that the floor and fasteners can support the weight of the screen system and other forces that may occur during normal use.

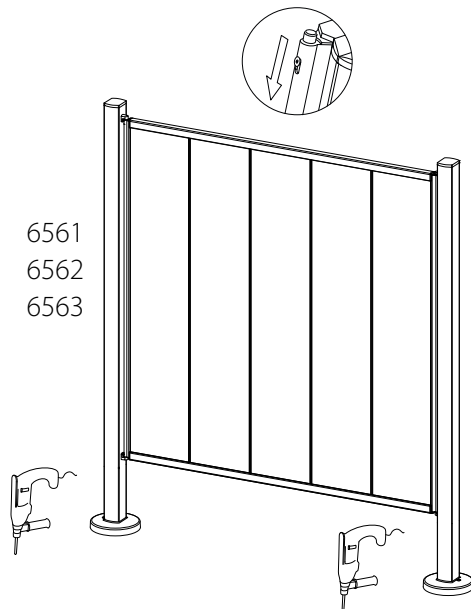
Your installation staff are also responsible for ensuring that the installed products will not be exposed to external damaging forces, e.g. doors that may crash into them when opened. When there is such a risk, measures must be taken to protect the screen and its accessories.

Warning - Never drill holes in the wall or floor if there are water pipes, gas pipes or electric wiring beneath, as this may result in water leakage, fire or electric shock.

Art. No.
6150, 6155
6250, 6255
6350, 6355
6561, 6562,
6563

Warning - The screens are designed to be used indoors on smooth, level flooring. Installation and use on floors that are not horizontal may be unsafe and will void the warranty.

1.

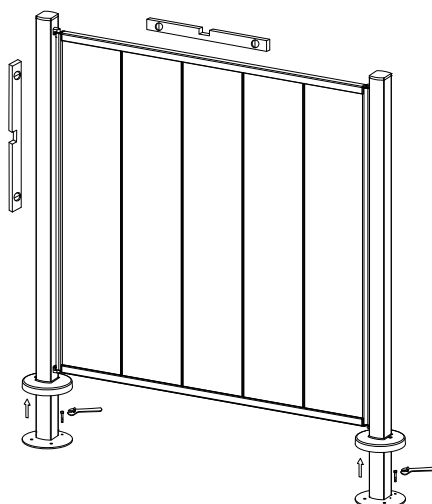


1. Attach the floor poles to the screen by inserting the bottom pin of the screen into the bottom hole of the floor pole. Press the upper pin down using the torx screw on the side to get the pin into the upper holes. Make sure the torx screw is in the **top position**.

Warning - The pins on the screen must be correctly inserted in the holes on the floor poles, otherwise the screen may detach and fall down.

Hold the screen in its intended position, lift the plastic cover of the floor poles and mark the drilling points on the floor. Move the screen aside and drill.

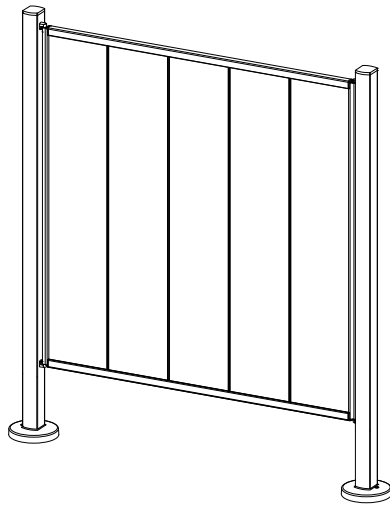
2.



2. Move the screen back into place and check that it is horizontal and vertical in all directions. Fasten the poles.

Warning - Make sure that the screen is not leaning, to prevent abnormal strain on the fastening components. This could damage the screen or the fastening components, causing the screen to fall down.

3.



3. Replace the plastic covers and fasten them with the screws included.

Art. No.	Weight
6150	14 lb (6.2 kg)
6155	25 lb (11.4 kg)
6250	16 lb (7.3 kg)
6255	29.5 lb (13.4 kg)
6350	18 lb (8.3 kg)
6355	34 lb (15.3 kg)
6561	7 lb (3.3 kg)
6562	7.5 lb (3.6 kg)
6563	8 lb (3.8 kg)

Installation of Folding Screen together with Fixed Screen

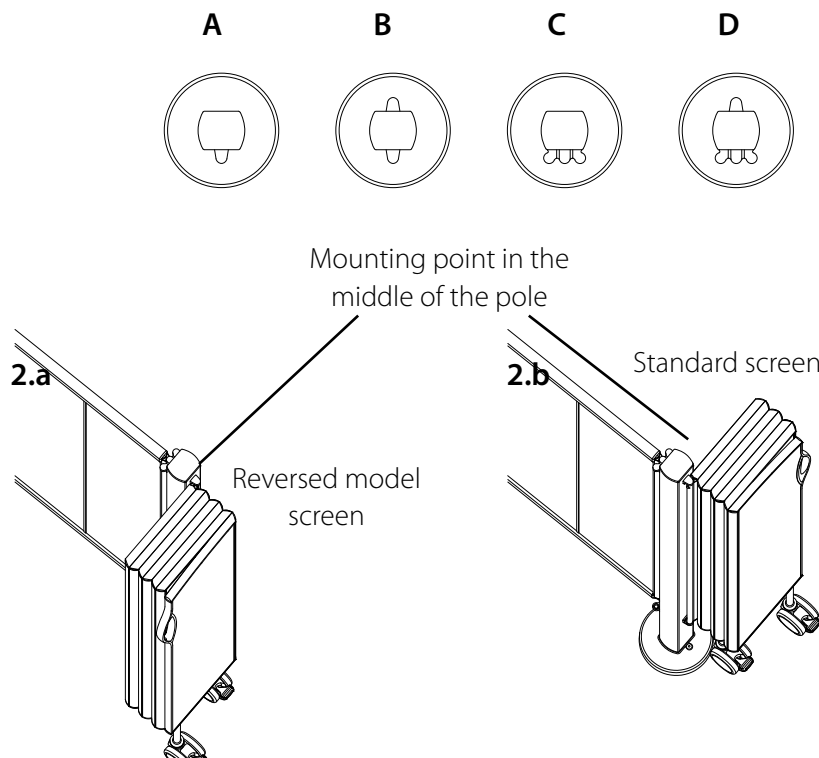
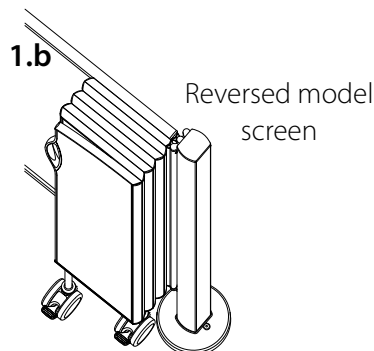
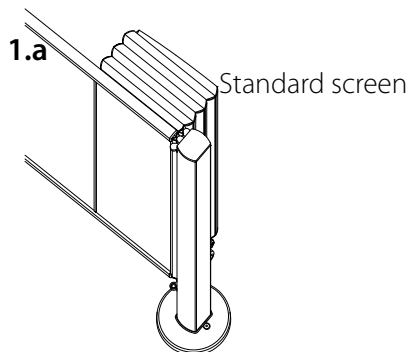
Approved positions for installation

Several screens can be installed on the same floor pole. Folding screens must be installed in one of the following approved positions:

1. On the same side of the pole as a fixed screen. (Pole in option C or D): The folding screen must rest against the fixed screen when it is folded. (Picture 1.a and 1.b)
2. On the opposite side of the pole relative to the fixed screen. (Pole in option B or D): The folding screen must be installed on mounting points in the middle of the pole. (Picture 2.a and 2.b)



Warning - If the screen is not mounted in an approved position, the forces under use may cause damage to the mounting points and the screen can fall down.



Installation

Install the fixed screens (see page 24-27). Then follow the instructions in paragraph 3 and 4 on the next page.

Installation of Folding Screen with Floor Pole

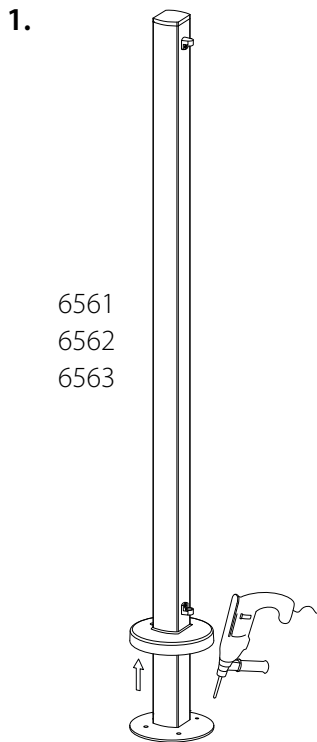
Warning - Incorrect installation may cause the screen to fall down and injure patients or staff. Your installation staff are responsible for ensuring that the fasteners are suitable for the floor, that the floor is in good condition, and that the floor and fasteners can support the weight of the screen system and other forces that may occur during normal use.

Your installation staff are also responsible for ensuring that the installed products will not be exposed to external damaging forces, e.g. doors that may crash into them when opened. When there is such a risk, measures must be taken to protect the screen and its accessories.

Warning - Never drill holes in the wall or floor if there are water pipes, gas pipes or electric wiring beneath, as this may result in water leakage, fire or electric shock.

Art. No.
 6105 - 6115
 6205 - 6215
 6305 - 6315
 6561, 6562,
 6563

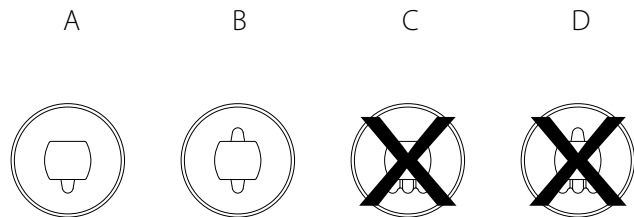
Warning - The screens are designed to be used indoors on smooth, level flooring. Installation and use on floors that are not horizontal may be unsafe and will void the warranty.



1. Put the floor pole in its intended position, lift the plastic cover of the floor pole and mark the drilling point on the floor. Move the pole aside and drill.

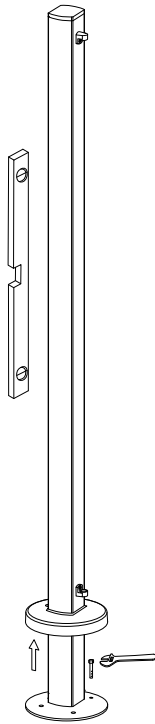
Warning - The folding screen must be installed to mounting points in the middle of the pole when it is not installed together with a fixed screen. Use pole A or B. For installation together with a fixed screen, see page 27.

2. Move the floor pole back in place and check that it



Art. No.	Weight	Art. No.	Weight	Art. No.	Weight	No. of Wheels
6105	18 lb (8 kg)	6205	21 lb (9.5 kg)	6305	25 lb (11.5 kg)	1
6106	23 lb (10.5 kg)	6206	26 lb (12 kg)	6306	30 lb (13.5 kg)	2
6107	26 lb (12 kg)	6207	31 lb (14 kg)	6307	35 lb (16 kg)	2
6108	30 lb (13.5 kg)	6208	35 lb (16 kg)	6308	40 lb (18 kg)	2
6109	34 lb (15.5 kg)	6209	40 lb (18 kg)	6309	45 lb (20.5 kg)	3
6110	37 lb (17 kg)	6210	43 lb (19.5 kg)	6310	50 lb (22.5 kg)	3
6111	41 lb (18.5 kg)	6211	47 lb (21.5 kg)	6311	54 lb (24.5 kg)	3
6112	44 lb (20 kg)	6212	53 lb (24 kg)	6312	60 lb (27 kg)	4
6113	48 lb (22 kg)	6213	56 lb (25.5 kg)	6313	64 lb (29 kg)	4
6114	53 lb (24 kg)	6214	61 lb (27.5 kg)	6314	69 lb (31.5 kg)	4
6115	56 lb (25.5 kg)	6215	65 lb (29.5 kg)	6315	74 lb (33.5 kg)	5

2.



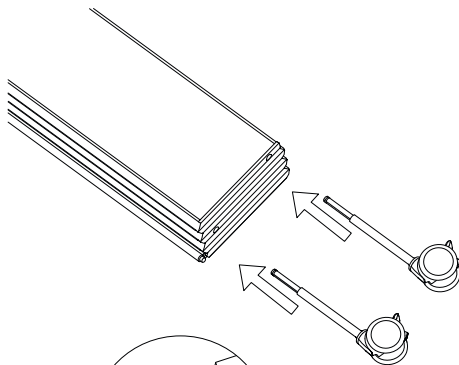
is vertical in all directions. Fasten the pole into place.



Warning - It is important that the floor pole is vertical in all directions, to prevent abnormal strain on the fastening components. This could damage the screen or fastening components, causing the screen to fall down.

Replace the plastic cover and fasten it with the screw included.

3.

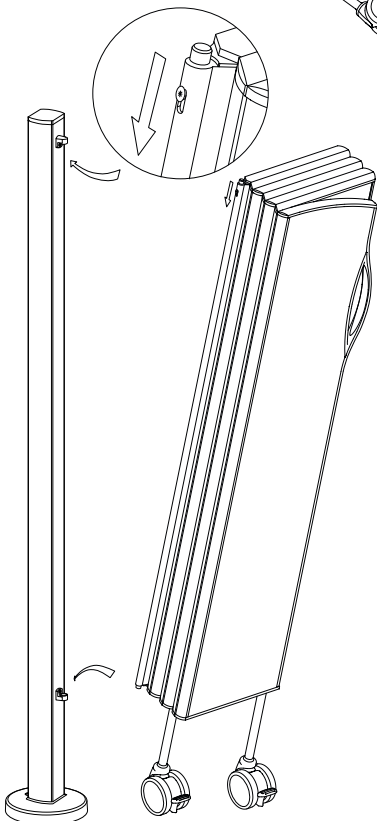


3. Push the wheels into the screen. Make sure the wheels are inserted into all the wheel holes.



Warning - Missing wheels can make the screen unstable and cause it to fall.

4.



4. Attach the screen by inserting the bottom pin of the screen into the bottom hole of the floor pole. Press the upper pin down using the torx screw on the side to get the pin into the upper hole.



Warning - The pins on the screen must be correctly inserted in the holes on the floor pole, otherwise the screen may detach and fall down.



Warning - If found to be needed in the care situation, tighten the torx screw (T20) to prevent anyone from detaching the screen accidentally or on purpose. Make sure the screw is in the top position after tightening it.

The longest screens (12-15 sections) are intended for use in an L-shape around the bed.

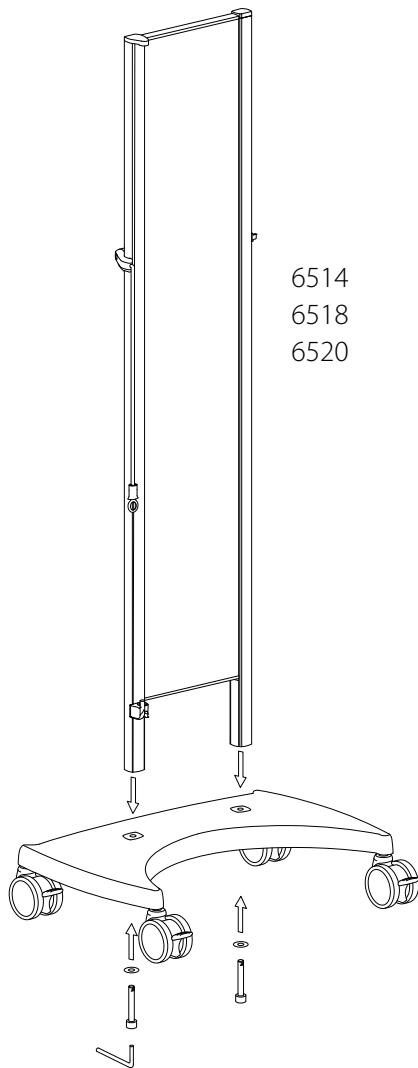
Installation with Trolley for One Screen

Warning - Improper installation may cause the screen to fall down and injure patients or staff.

Warning - The screens are designed to be used indoors on smooth, level flooring. Installation and use on floors that are not horizontal may be unsafe and will void the warranty.

Art. No.
6105 - 6115
6205 - 6215
6305 - 6315
6514, 6518,
6520

1.

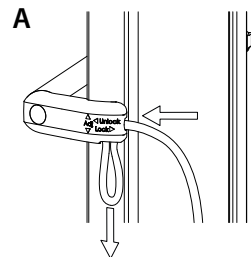


1. Put the back part onto the wheel part, making sure that **the attachment points for the screen are on the same side as the curved (concave) side of the wheel part**. Put the washers over the screws and **tighten them firmly**.

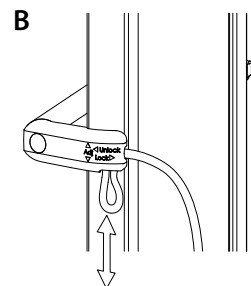
Warning - It is important that the back part is installed correctly, since the wheel part has an asymmetrical weight distribution and the trolley will otherwise be unstable. Do not turn the back part 180°.

This is how you adjust the length of the cord to suit the number of screen sections.

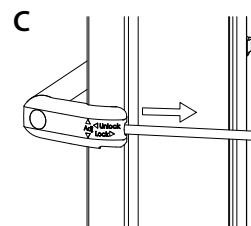
A) Feed in the cord so that it forms a loop below.



B) Adjust the length of the cord by either pushing the loop upwards to shorten it, or pulling the loop downwards to extend it.

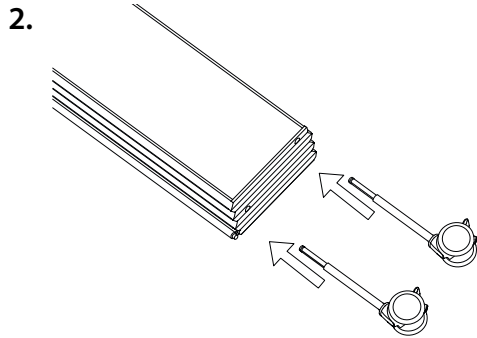


C) Pull back the cord until the loop disappears and compare the length with the table below.



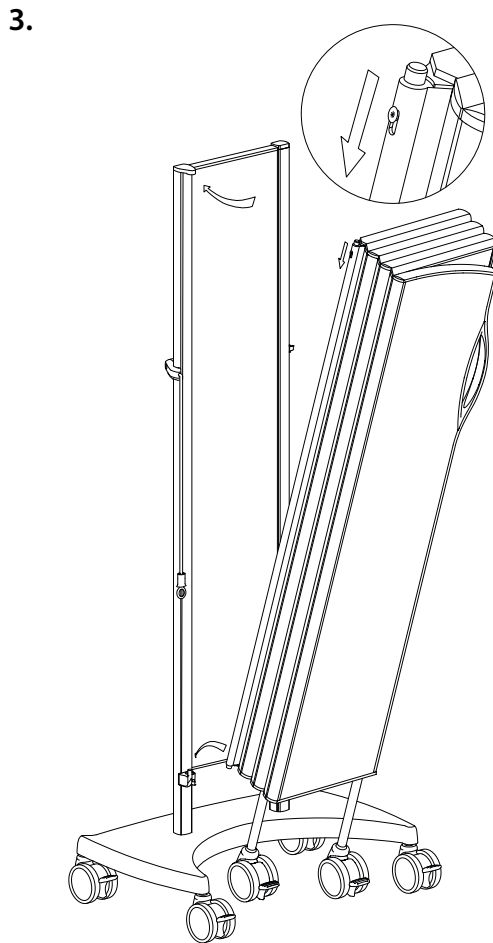
If the length is incorrect, repeat steps A) to C) until it is correct.

Number of sections	Length of strap
5	16" (41 cm)
7	19" (48 cm)
9	21" (54 cm)
11	24" (60 cm)
13	26" (65 cm)
15	29" (72 cm)



2. Push the wheels into the screen. Make sure the wheels are inserted into all the wheel holes.

Warning - Missing wheels can make the screen unstable and cause it to fall.



3. Attach the screen to the trolley by inserting the bottom pin of the screen into the bottom hole of the trolley. Press the upper pin down using the torx screw on the side to get the pin into the upper hole.

Warning - On a correctly installed screen, the wheels of the screen will be placed in the curved opening of the wheel part when the screen is folded. Incorrect installation may cause the screen to fall over.

Warning - The pins on the screen must be correctly inserted in the holes on the trolley, otherwise the screen may detach and fall down.

Warning - If found to be needed in the care situation, tighten the torx screw (T20) to prevent anyone from detaching the screen accidentally or on purpose. Make sure the screw is in the top position after tightening it.

Before moving the screen unit, the brakes of all wheels must be off.

Before extending the screen, the brakes of the trolley wheels must be on, but the brakes of the screen wheels must be off.

The longest screens (12-15 sections) are intended for use in an L-shape around the bed.

Art. No.	Weight	Art. No.	Weight	Art. No.	Weight	No. of Wheels
6105	18 lb (8 kg)	6205	21 lb (9.5 kg)	6305	25 lb (11.5 kg)	1
6106	23 lb (10.5 kg)	6206	26 lb (12 kg)	6306	30 lb (13.5 kg)	2
6107	26 lb (12 kg)	6207	31 lb (14 kg)	6307	35 lb (16 kg)	2
6108	30 lb (13.5 kg)	6208	35 lb (16 kg)	6308	40 lb (18 kg)	2
6109	34 lb (15.5 kg)	6209	40 lb (18 kg)	6309	45 lb (20.5 kg)	3
6110	37 lb (17 kg)	6210	43 lb (19.5 kg)	6310	50 lb (22.5 kg)	3
6111	41 lb (18.5 kg)	6211	47 lb (21.5 kg)	6311	54 lb (24.5 kg)	3
6112	44 lb (20 kg)	6212	53 lb (24 kg)	6312	60 lb (27 kg)	4
6113	48 lb (22 kg)	6213	56 lb (25.5 kg)	6313	64 lb (29 kg)	4
6114	53 lb (24 kg)	6214	61 lb (27.5 kg)	6314	69 lb (31.5 kg)	4
6115	56 lb (25.5 kg)	6215	65 lb (29.5 kg)	6315	74 lb (33.5 kg)	5

Installation with Trolley for Two Screens

Warning - Improper installation may cause the screen to fall down and injure patients or staff.

Warning - The screens are designed to be used indoors on smooth, level flooring. Installation and use on floors that are not horizontal may be unsafe and will void the warranty.

Art. No.

6105 - 6115

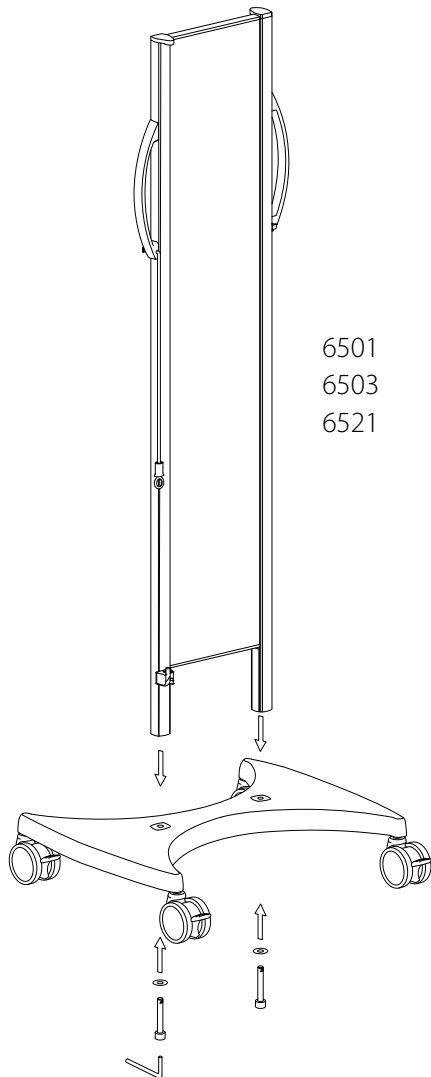
6205 - 6215

6305 - 6315

6501, 6503,

6521

1.



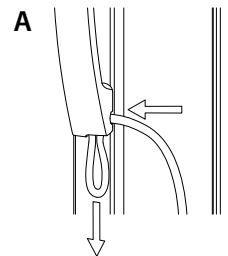
6501
6503
6521

Number of sections	Length of strap
5	16" (41 cm)
7	19" (48 cm)
9	21" (54 cm)
11	24" (60 cm)
13	26" (65 cm)
15	29" (72 cm)

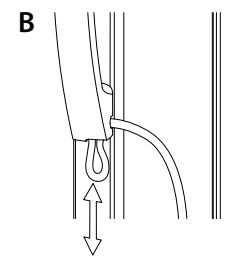
1. Put the back part onto the wheel part. Put the washers over the screws and **tighten the screws firmly.**

This is how you adjust the length of the cord to suit the number of screen sections.

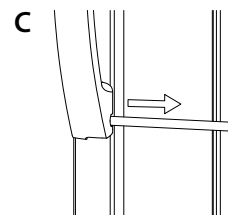
A) Feed in the cord so that it forms a loop below.



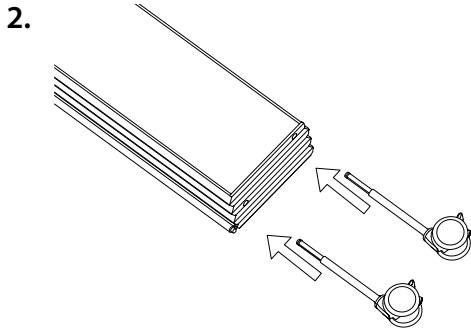
B) Adjust the length of the cord by either pushing the loop upwards to shorten it, or pulling the loop downwards to extend it.



C) Pull back the cord until the loop disappears and compare the length with the table below.

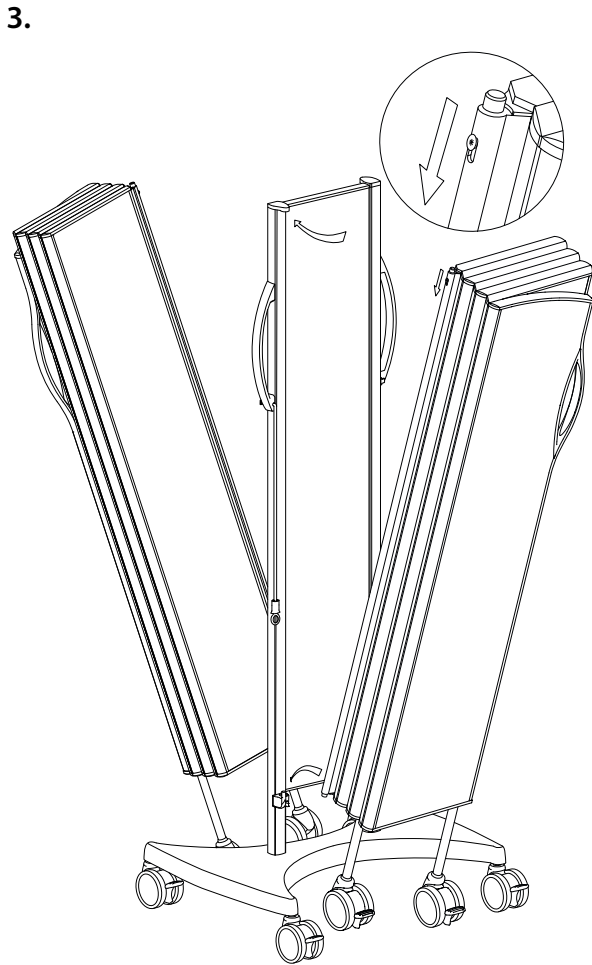


If the length is incorrect, repeat steps A) to C) until it is correct.



2. Push the wheels into the screen. Make sure the wheels are inserted into all the wheel holes.

Warning - Missing wheels can make the screen unstable and cause it to fall.



3. Attach the screen to the trolley by inserting the bottom pin of the screen into the bottom hole of the trolley. Press the upper pin down using the torx screw on the side to get the pin into the upper hole.

Warning - The pins on the screen must be correctly inserted in the holes on the trolley, otherwise the screen may detach and fall down.

Warning - If found to be needed in the care situation, tighten the torx screw (T20) to prevent anyone from detaching the screen accidentally or on purpose. Make sure the screw is in the top position after tightening it.

Before moving the screen unit, the brakes of all wheels must be off.

Before extending a screen, the brakes of the trolley wheels must be on, but the brakes of the screen wheels must be off.

The longest screens (12-15 sections) are intended for use in an L-shape around the bed.

Art. No.	Weight	Art. No.	Weight	Art. No.	Weight	No. of Wheels
6105	18 lb (8 kg)	6205	21 lb (9.5 kg)	6305	25 lb (11.5 kg)	1
6106	23 lb (10.5 kg)	6206	26 lb (12 kg)	6306	30 lb (13.5 kg)	2
6107	26 lb (12 kg)	6207	31 lb (14 kg)	6307	35 lb (16 kg)	2
6108	30 lb (13.5 kg)	6208	35 lb (16 kg)	6308	40 lb (18 kg)	2
6109	34 lb (15.5 kg)	6209	40 lb (18 kg)	6309	45 lb (20.5 kg)	3
6110	37 lb (17 kg)	6210	43 lb (19.5 kg)	6310	50 lb (22.5 kg)	3
6111	41 lb (18.5 kg)	6211	47 lb (21.5 kg)	6311	54 lb (24.5 kg)	3
6112	44 lb (20 kg)	6212	53 lb (24 kg)	6312	60 lb (27 kg)	4
6113	48 lb (22 kg)	6213	56 lb (25.5 kg)	6313	64 lb (29 kg)	4
6114	53 lb (24 kg)	6214	61 lb (27.5 kg)	6314	69 lb (31.5 kg)	4
6115	56 lb (25.5 kg)	6215	65 lb (29.5 kg)	6315	74 lb (33.5 kg)	5

Installation of Mobile Bed End Screen



Warning - Improper installation may cause the screen to fall down and injure patients or staff.

Art. No.

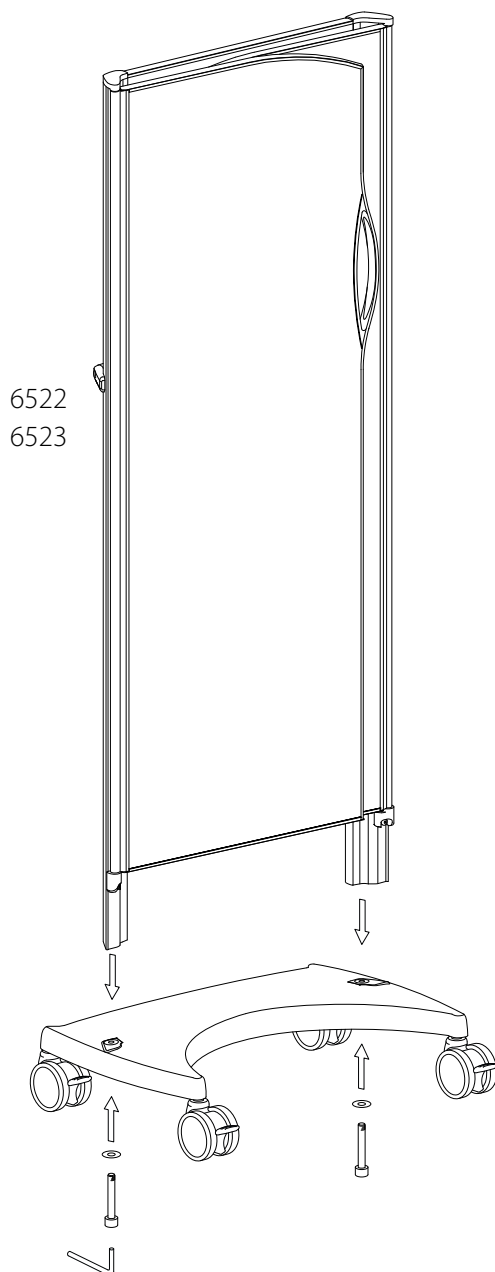
6522, 6523

6532, 6533



Warning - The screens are designed to be used indoors on smooth, level flooring. Installation and use on floors that are not horizontal may be unsafe and will void the warranty.

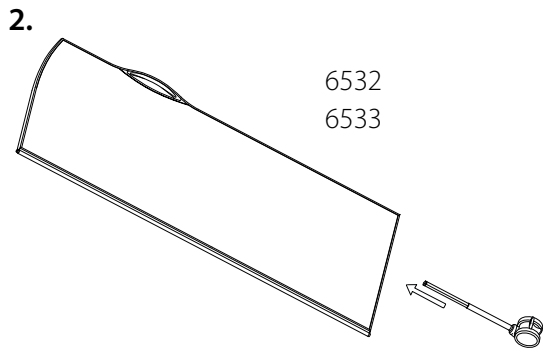
1.




1. Put the back part onto the wheel part, making sure that the **contour on the wheel part match with the contour of the back part poles**. Put the washers over the screws and **tighten them firmly**.

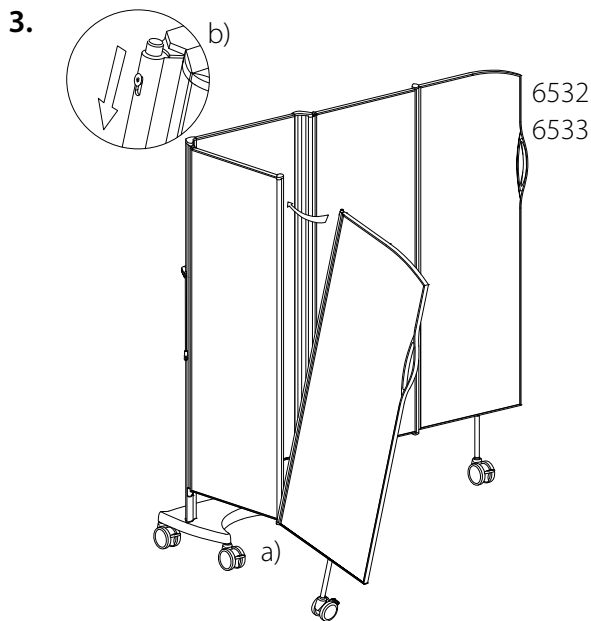


Warning - It is important that the back part is installed correctly, since the wheel part has an asymmetrical weight distribution and the trolley will otherwise be unstable. Do not turn the back part 180°.




2. Push the wheels into the screen. Make sure the wheels are inserted into all the wheel holes.

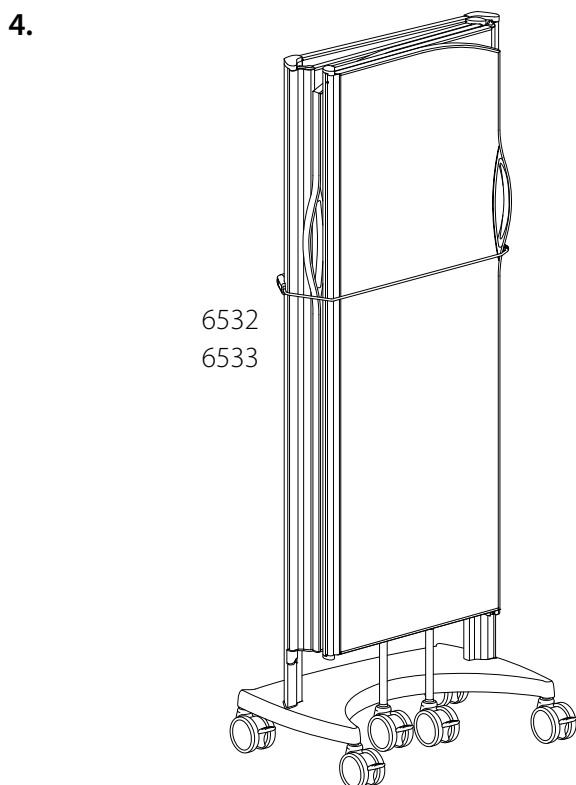
 **Warning - Missing wheels can make the screen unstable and cause it to fall.**



3.a) Attach the outer wing to the inner wing by inserting the bottom pin into the bottom hole of the inner wing.

b) Press down the upper pin with your finger and move it so that the pin can spring up into the upper hole.

 **Warning - The pins on the screens must be securely located in the holes in the back part, otherwise the screen may detach and fall down.**



4. The elastic cord can be used to hold the foldable parts towards the back part when the screen is moved. Before moving the screen unit, the brakes of all wheels must be off.

Installation of Shower Screen

Warning - Incorrect installation may cause the screen to fall down and injure patients or staff. Your installation staff are responsible for ensuring that the fasteners are suitable for the wall, that the wall is in good condition, and that the wall and fasteners can support the weight of the screen system and other forces that may occur during normal use.

Your installation staff are also responsible for ensuring that the installed products will not be exposed to external damaging forces, e.g. doors that may crash into them when opened. When there is such a risk, measures must be taken to protect the screen and its accessories.

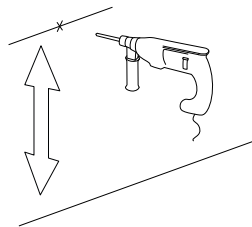
Warning - Never drill holes in the wall or floor if there are water pipes, gas pipes or electric wiring beneath, as this may result in water leakage, fire or electric shock.

Warning - The screens are designed to be used indoors on smooth, level flooring. Installation and use on floors that are not horizontal may be unsafe and will void the warranty.

Art. No.
 6183 - 6185
 6283 - 6285
 6383 - 6385
 6539-SH
 6544-SH
 6540-SH

- 1.** Mark and drill a hole for the lower fastening screw. Distance from floor: 6.69" for screen of 4'3" height, 10.63" for screen of 4'11" or 5'7" height.

Screen height	Distance from floor
5'7" (1.7 m)	10.63" (270 mm)
4'11" (1.5 m)	10.63" (270 mm)
4'3" (1.3 m)	6.69" (170 mm)



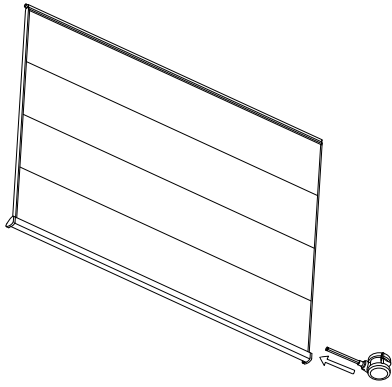
Warning - It is important that the wall mounting is fastened at the correct height to prevent abnormal strain on the fastening components. This could damage the screen or the fastening components, causing the screen to fall down.

Attention! Holes made in walls or floor in wet areas must be sealed against water penetration in a professional manner.

- 2.** 6539-SH
6544-SH
6540-SH
- 3.**

- 2.** Fasten the lower end of the wall mounting to the wall. The upper end of the wall mounting is marked by an arrow and the word UP.
- 3.** Make sure the wall mounting **is vertical**. Mark and drill a hole for the upper end of the wall mounting and fasten it to the wall.

4.

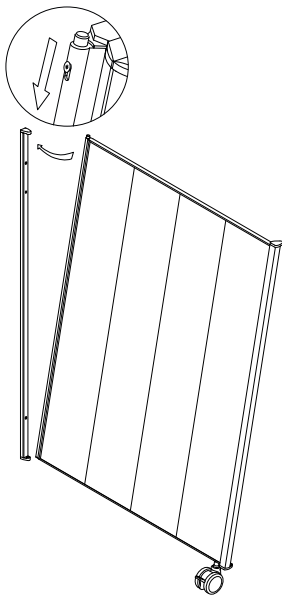


4. Push the wheels into the screen. Make sure the wheels are inserted into all the wheel holes.



Warning - Missing wheels can make the screen unstable and cause it to fall.

5.



5. Attach the inner screen by inserting the bottom pin of the inner screen into the bottom hole of the wall mounting. Press the upper pin down using the torx screw on the side to get the pin into the upper hole.

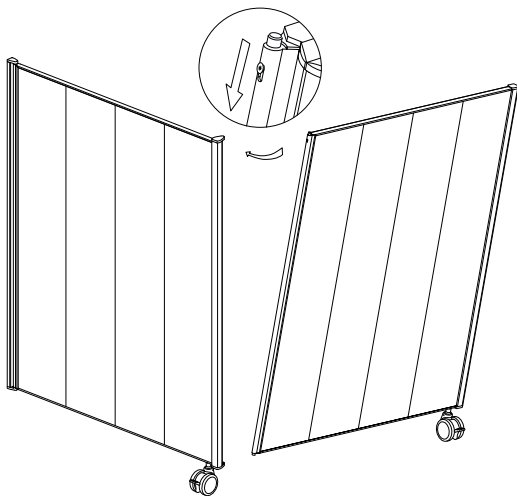


Warning - The pins on the screens must be correctly inserted in the holes on the wall mounting/screen extension, otherwise the screens may detach and fall down.



Warning - If found to be needed in the care situation, tighten the torx screw (T20) to prevent anyone from detaching the screen accidentally or on purpose. Make sure the screw is in the top position after tightening it.

6.

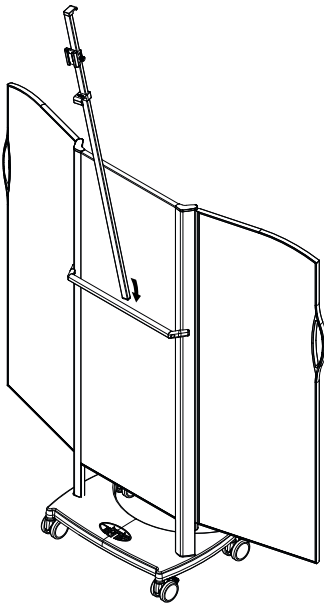


6. Attach the outer screen to the inner screen in the same way as the inner screen was attached to the wall mounting.

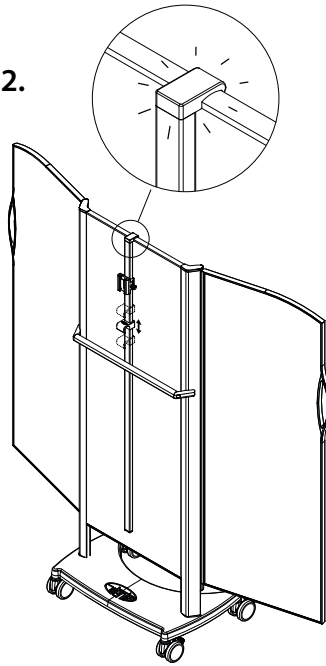
Art. No.	Weight	No. of Wheels
6183	11 lb (5 kg)	1
6184	12 lb (5.5 kg)	1
6185	15 lb (7 kg)	1
6283	12 lb (5.5 kg)	1
6284	14 lb (6.5 kg)	1
6285	18 lb (8 kg)	1
6383	13 lb (6 kg)	1
6384	17 lb (7.5 kg)	1
6385	20 lb (9 kg)	1

PPE Holder 1, Mobile Bed End Screen

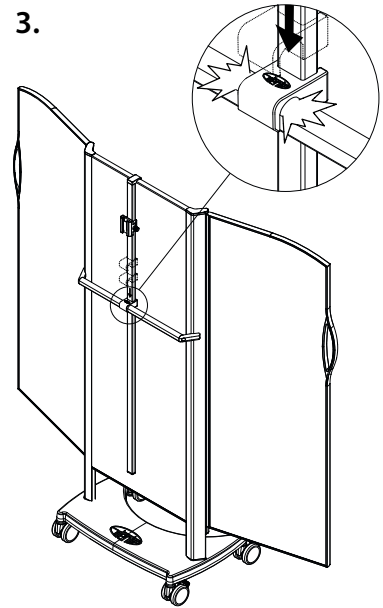
1.



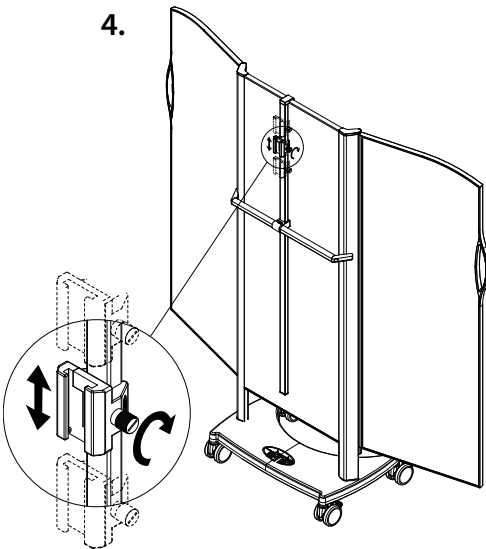
2.



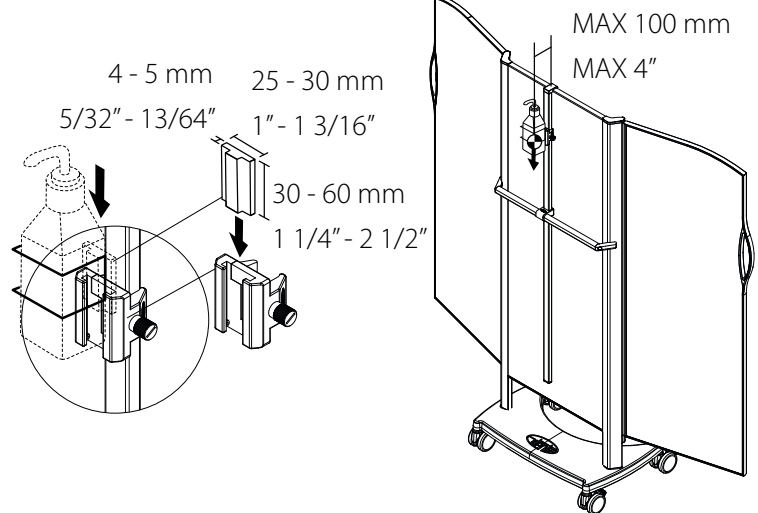
3.



4.

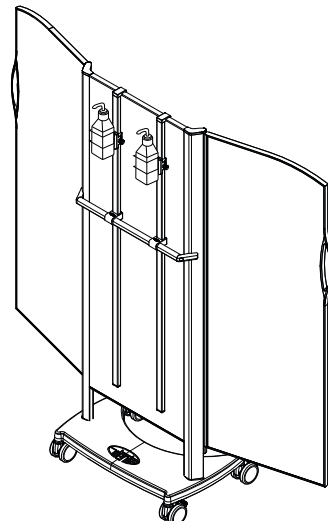


5.



One Size - Art. No. 6580

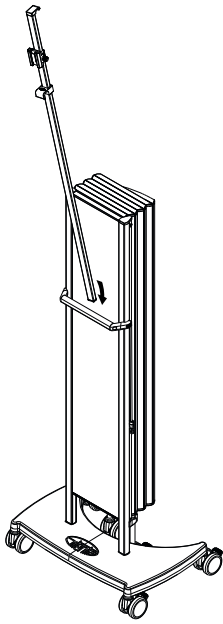
Silentia PPE Accessory Clamp - Art. No. 6590



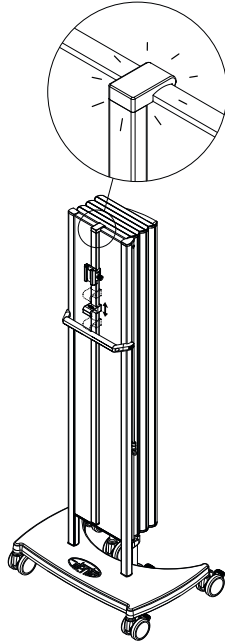
MAX 2 PPE Holder
 MAX 4 kg / screen
 MAX 9 lbs / screen

PPE Holder 1, Trolley for One Screen

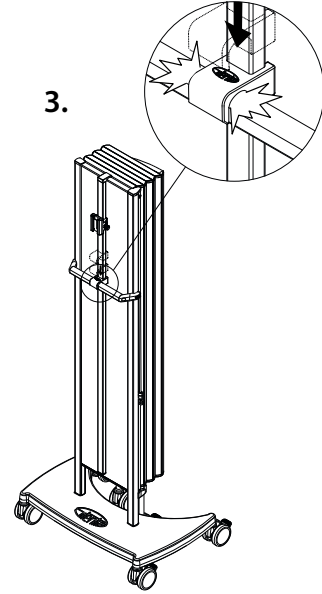
1.



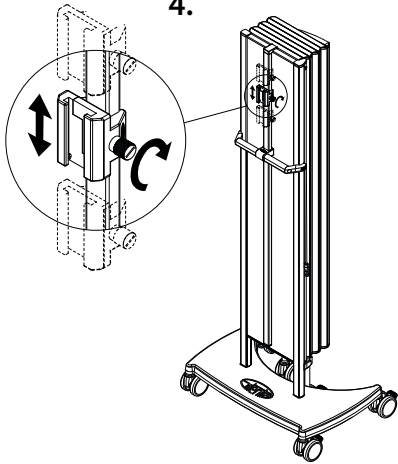
2.



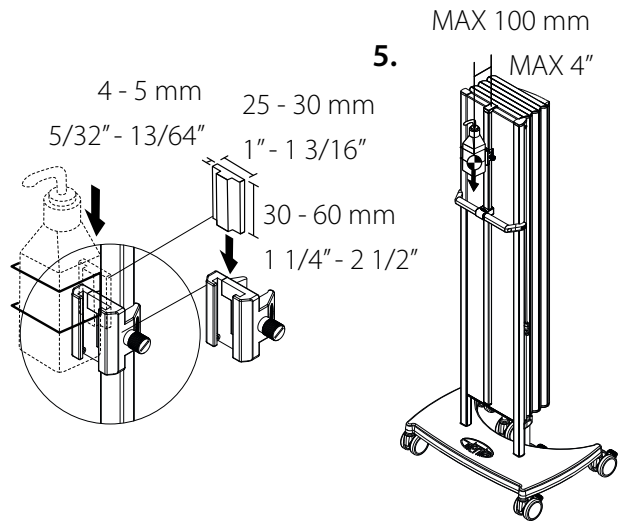
3.



4.

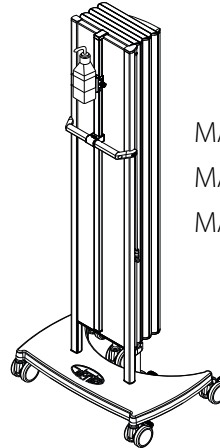


5.



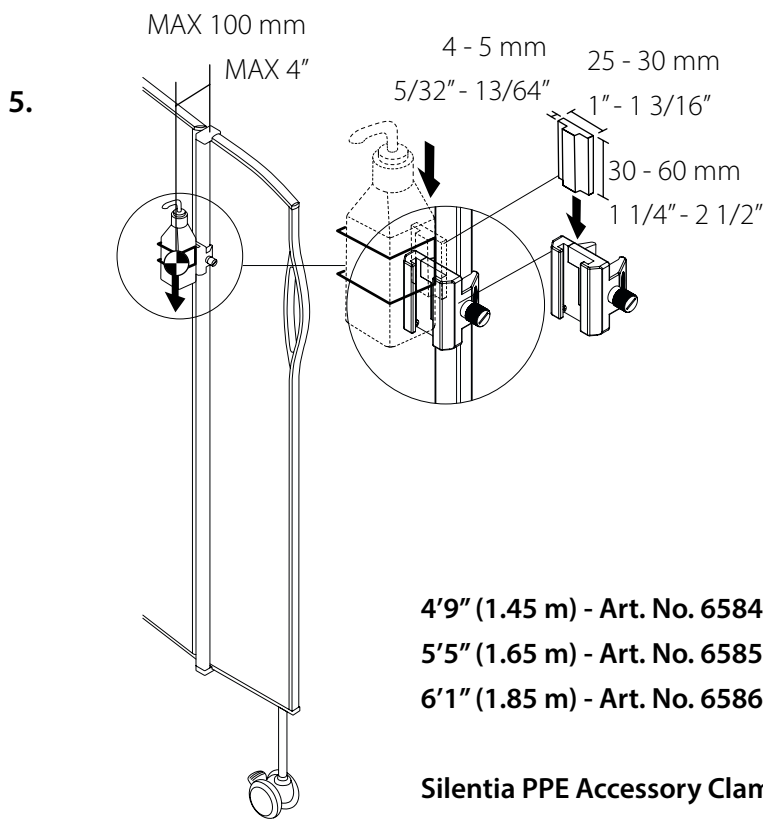
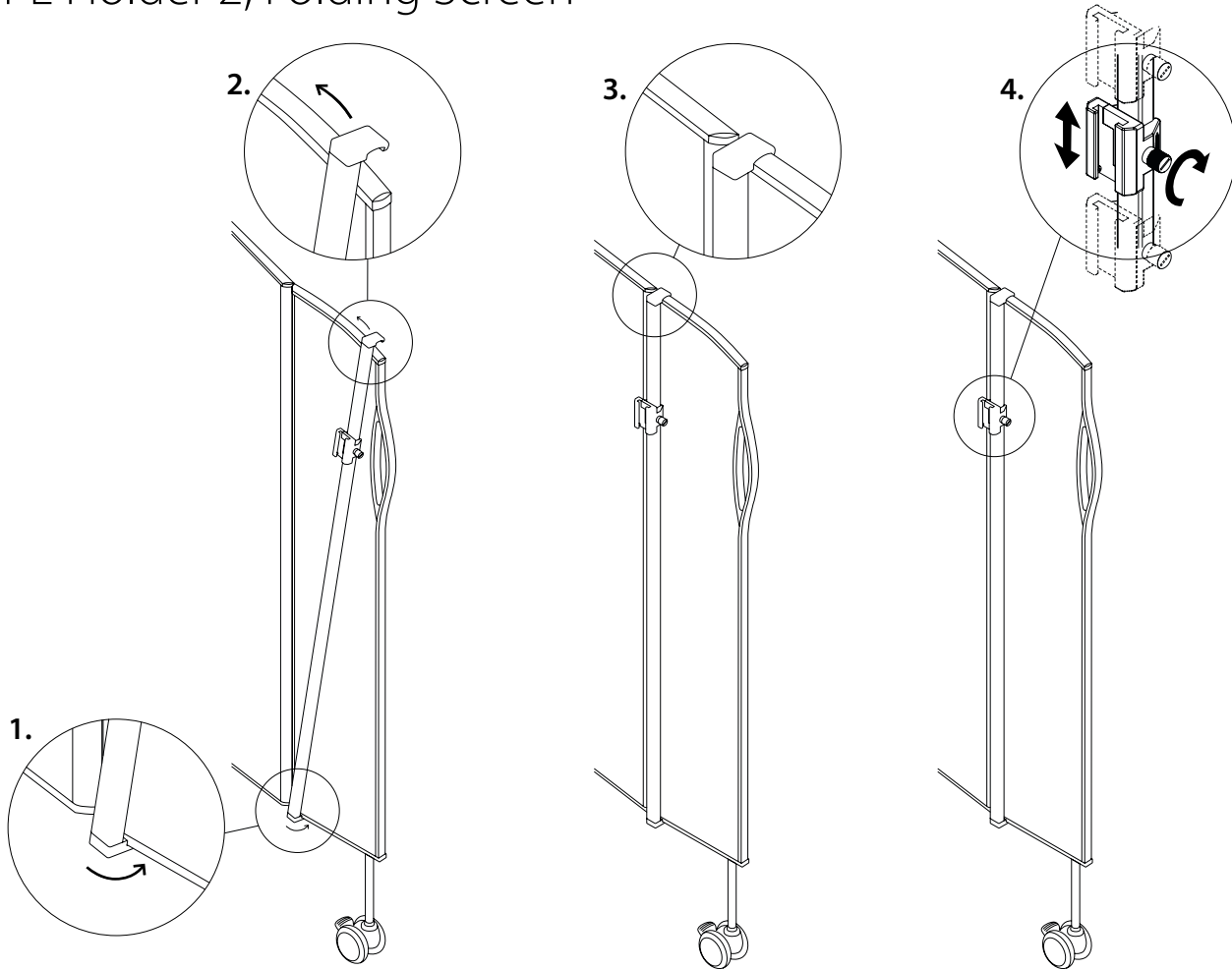
One Size - 1,45 m - Art. No. 6580

Silentia PPE Accessory Clamp - Art. No. 6590

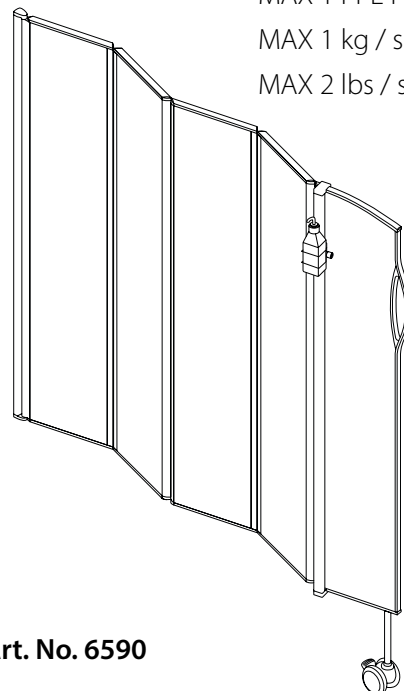


MAX 1 PPE Holder
MAX 4 kg / screen
MAX 9 lbs / screen

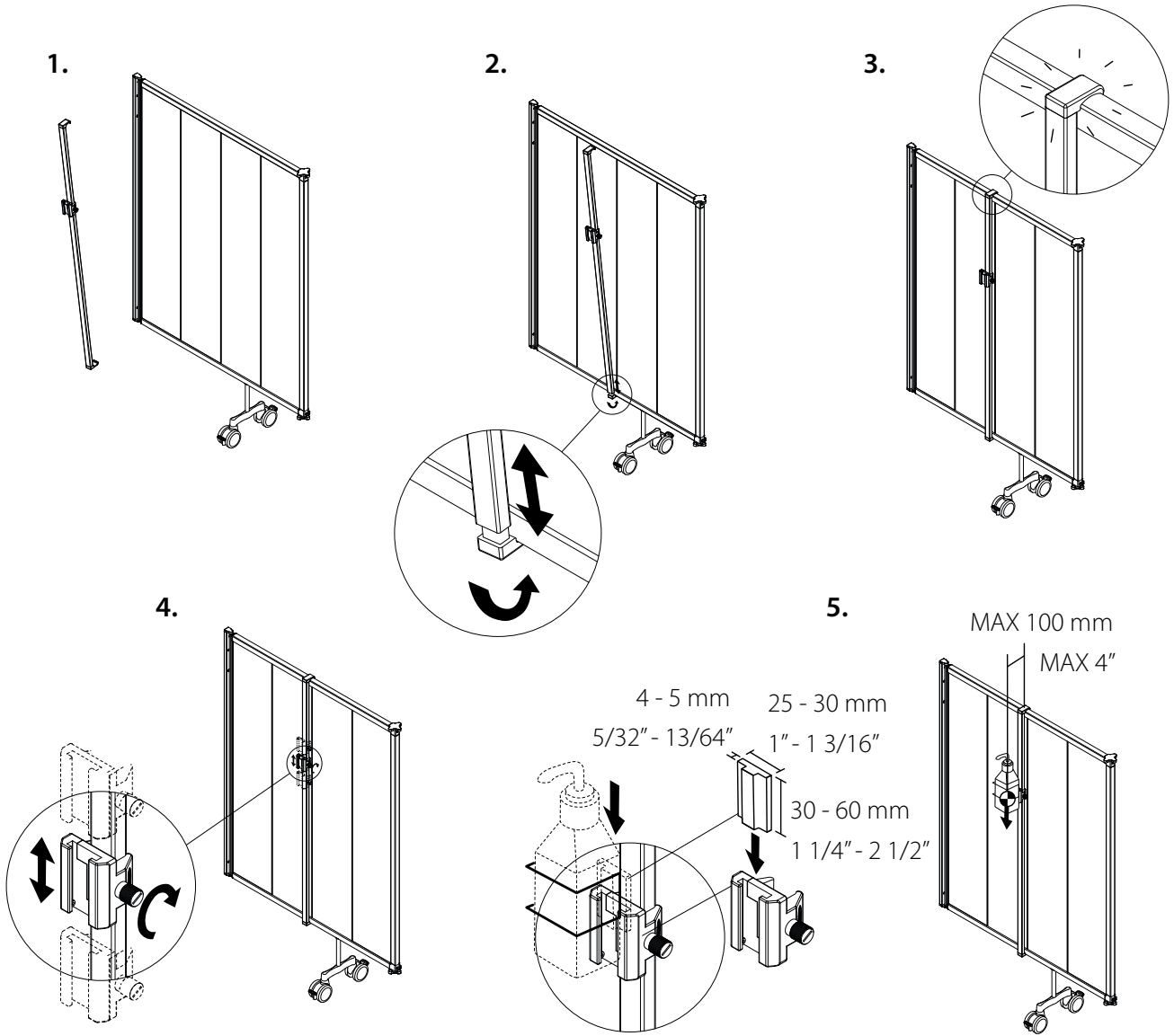
PPE Holder 2, Folding Screen



MAX 1 PPE Holder
MAX 1 kg / screen
MAX 2 lbs / screen



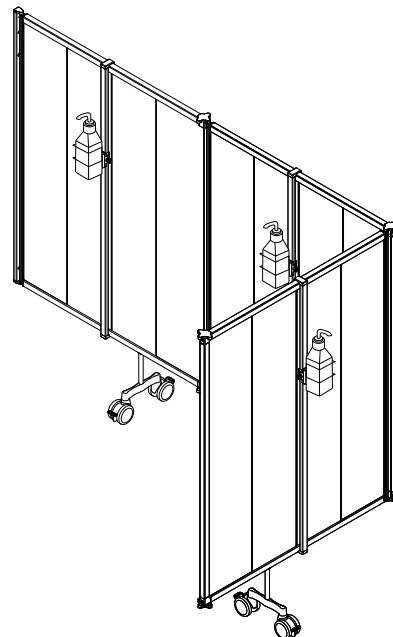
PPE Holder 3, Semifix Screen



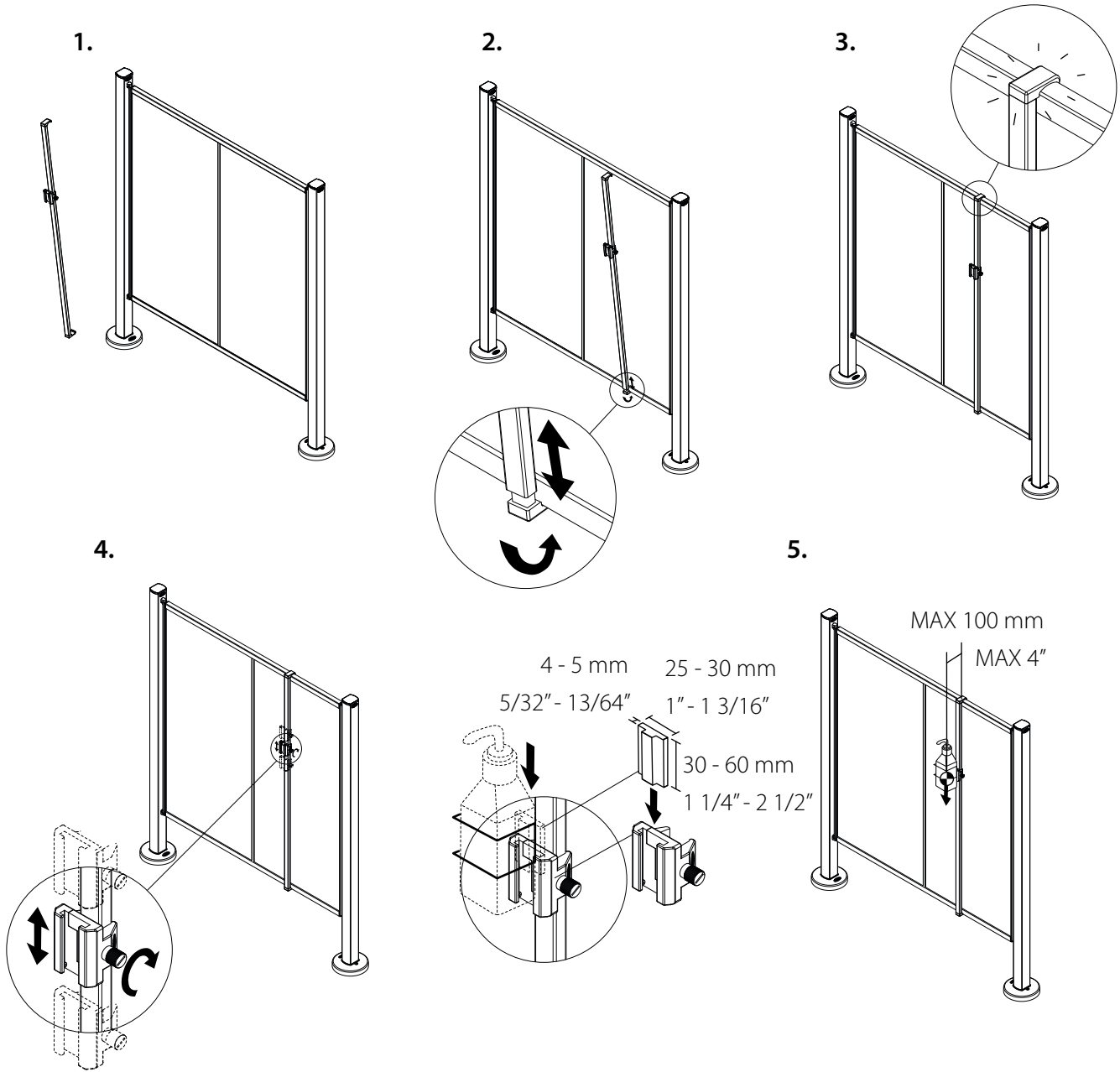
MAX 6 kg / screen
MAX 13 lbs / screen

- 4'9" (1.45 m) - Art. No. 6581
- 5'5" (1.65 m) - Art. No. 6582
- 6'1" (1.85 m) - Art. No. 6583

Silentia PPE Accessory Clamp - Art. No. 6590



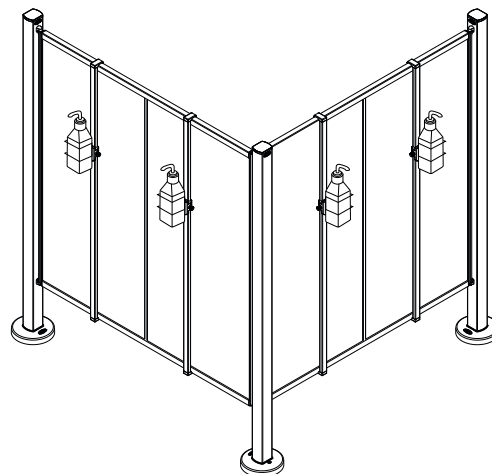
PPE Holder 3, Fixed Screen



MAX 6 kg / screen
MAX 13 lbs / screen

- 4'9" (1.45 m) - Art. No. 6581
- 5'5" (1.65 m) - Art. No. 6582
- 6'1" (1.85 m) - Art. No. 6583

Silentia PPE Accessory Clamp - Art. No. 6590





Headquarters US

Silentia Inc.
1004 W. 9th Ave., Suite 105,
King of Prussia, PA 19406, USA
Tel. +1 (267) 457-4477
info@silentia.us

Manufacturing Unit

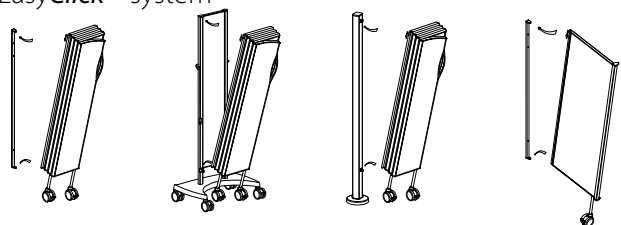
Silentia AB
Box 108
SE-311 35 Falkenberg, Sweden
Tel. +46 346-48580
info@silentia.se

Form for regular six-monthly inspection

On the following page is a form that can be copied (we recommend enlarging it to A4) and used when inspecting the screens. Each page can be used for one screen, or for several screens in the same room or department.

Reference (Ward / Room / Item / Serial No.)	Hospital / Clinic / Care home	Date
---	-------------------------------	------

Silentia Screen Regular Six-monthly Inspection / Service

<p>1. Check fastening to the wall / floor / trolley (For reference, see manual or www.silentia.eu)</p> <p>All mountings, spacers and clamps are OK <input type="checkbox"/></p> <p>Wall mounting / spacer / wall rail / floor pole is not securely attached to the wall / floor <input type="checkbox"/></p> <p>The screen is not securely attached to the wall mounting / floor pole / trolley (EasyClick™ system, see below) <input type="checkbox"/></p> <p>Fault / damage to wall mounting / floor pole <input type="checkbox"/></p> <p>Fault / damage to wall mounting spacer or clamp for wall rail <input type="checkbox"/></p> <p>Fault / damage to trolley <input type="checkbox"/></p> <p>Other fault / damage <input type="checkbox"/></p> <div style="border: 1px solid black; padding: 5px; margin-top: 10px;">Specify (eg. item/serial No., location; fault / damage)</div> <p>EasyClick™ system</p> 	<p>2. Check screen(s)</p> <p>The screens look and operate as intended <input type="checkbox"/></p> <p>Damage to panels <input type="checkbox"/></p> <p>Damage to wheels <input type="checkbox"/></p> <p>Damage to handle <input type="checkbox"/></p> <p>Damage to edging <input type="checkbox"/></p> <p>Other fault / damage <input type="checkbox"/></p> <div style="border: 1px solid black; padding: 5px; margin-top: 10px;">Specify (eg. item / part, location measured from handle; fault / damage)</div> <div style="border: 1px solid black; padding: 5px; margin-top: 10px;">Notes*</div>
---	--

Customer Details	Work carried out by
Signed	Signed
Date	Date



THE FUTURE IN PRIVACY & HYGIENE SOLUTIONS

Silentia Inc., 1004 W. 9th Ave., Suite 105, King of Prussia, PA 19406, USA
Tel. +1 (267) 457-4477 - info@silentia.us - www.silentia.us

